

SPECIFICATION

ITEM: LC BANDPASS FILTER
PART NUMBER: FN-4727W

ISSUED / REVISION	ENGINEER APPROVED	DOCUMENT CHECKED	DRAFTSMAN
9/20/2023 ^(PG)			

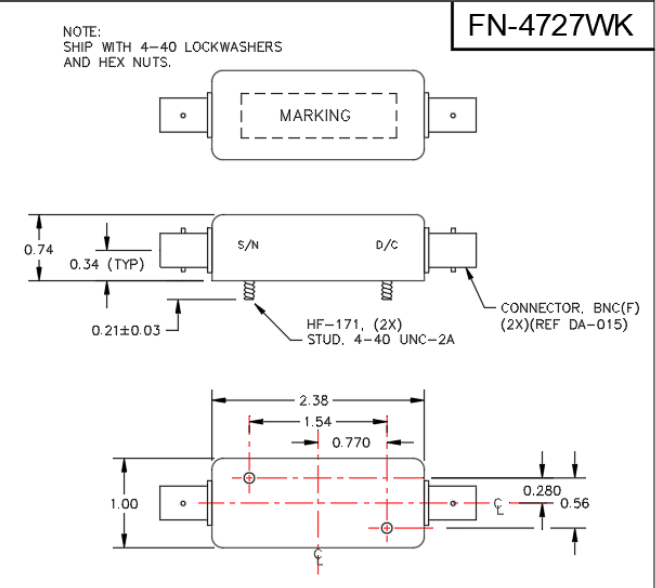
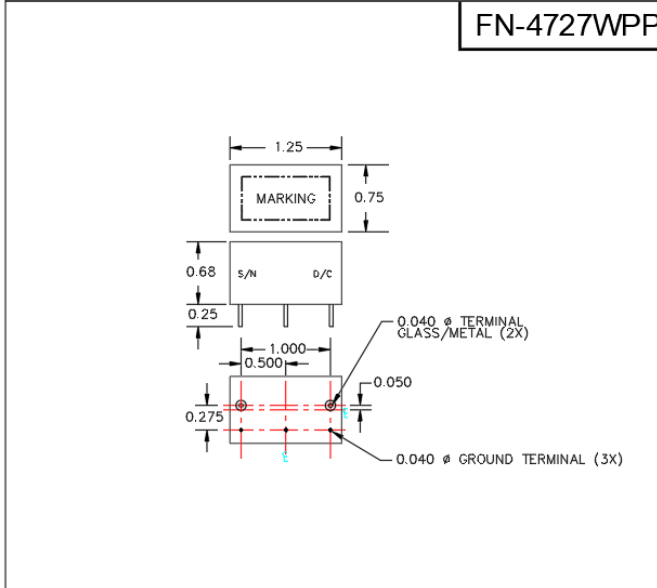
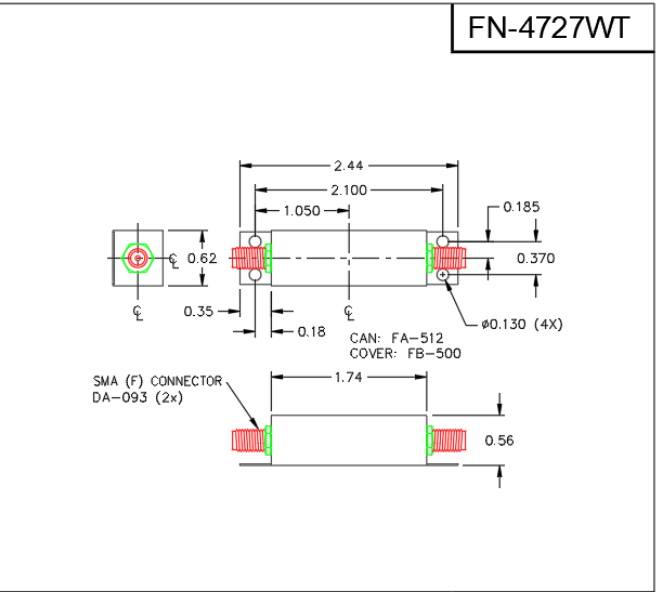
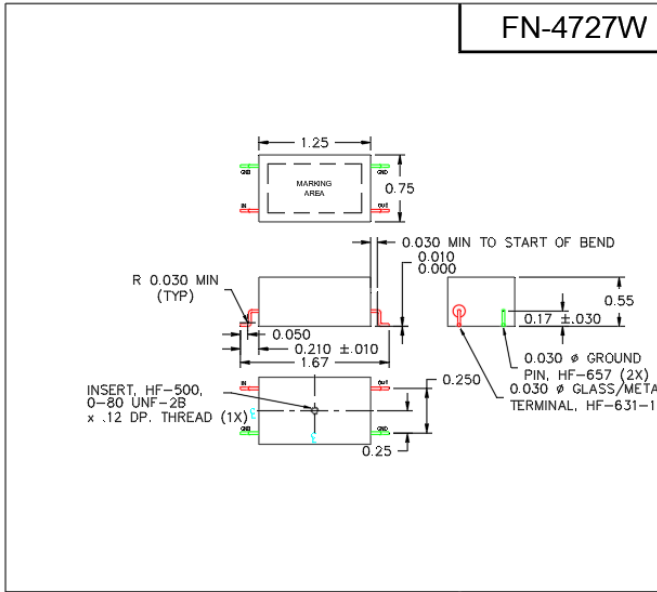
FILTRONETICS Inc

1. Part Number: FN-4727W

2. Electrical Specifications:

Filter Type	Band Pass
Center Frequency (Fo)	230 MHz
3 dB Band Width:	20 MHz Min
Insertion Loss:	3.0 dB Max
Pass Band Return Loss:	15 dB Min, 20dB Target
Pass Band Ripple:	0 dB Typ
Attenuation at 200MHz:	30dBc Min
Attenuation at 250MHz:	30dBc Min
Input Power:	10 dBm Max
Impedance:	50 Ohms
Operating Temperature:	-20°C to +85°C
Workmanship:	J-STD-001
Surface Mount Parts If SMT: High Temperature Solder is required to assemble this device	<input checked="" type="checkbox"/> Yes: Customer Installation temperature range specification 170°C Max case temp <input type="checkbox"/> NA

3. Example Mechanical Package Styles:



4. Plots (Optional)

