

SPECIFICATION

CRYSTAL BAND PASS FILTER
 PART NUMBER: FN-4703W

ISSUED / REVISION	ENGINEER APPROVED	DOCUMENT CHECKED	DRAFTSMAN
02/10/2021 ^(pg)			

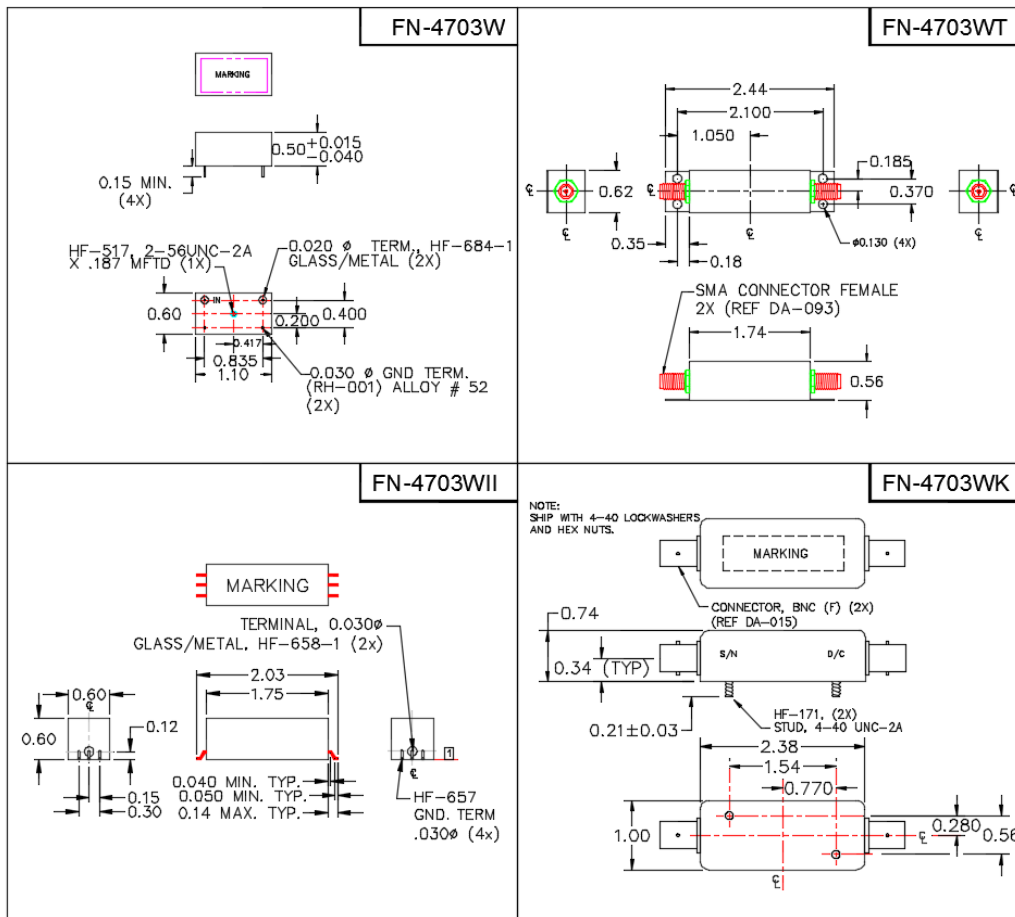
FILTRONETICS Inc

1. Part Number: FN-4703

2. Electrical Specifications:

Filter Type	Crystal Band Pass
Center Frequency (Fo)	121.5MHz
3 dBc Band Width:	± 50KHz Min
Insertion Loss:	6.0dB Max
Pass Band Return Loss @ Fo:	-10dB Min
Pass Band Ripple:	1.0dB Max
30 dBc Band Width:	±100KHz Max
45 dBc:	±130KHz Max
Input Power*:	0dBm (+10dB Goal)
	*10dBm Without Damage, 0dBm Operating
Impedance:	50 Ohms
Operating Temperature:	-20°C to +70°C
Workmanship	IPC-610 Class 2

3. Example Mechanical Package Styles:



4. Theoretical Response:

