

SPECIFICATION

ITEM: CRYSTAL BAND FILTER
 PART NUMBER: FN-4702W

ISSUED / REVISION	ENGINEER APPROVED	DOCUMENT CHECKED	DRAFTSMAN
12/20/2020 ^(PG)	12/20/2020 ^(TG)	12/20/2020 ^(JE)	12/21/2020 ^(PG)

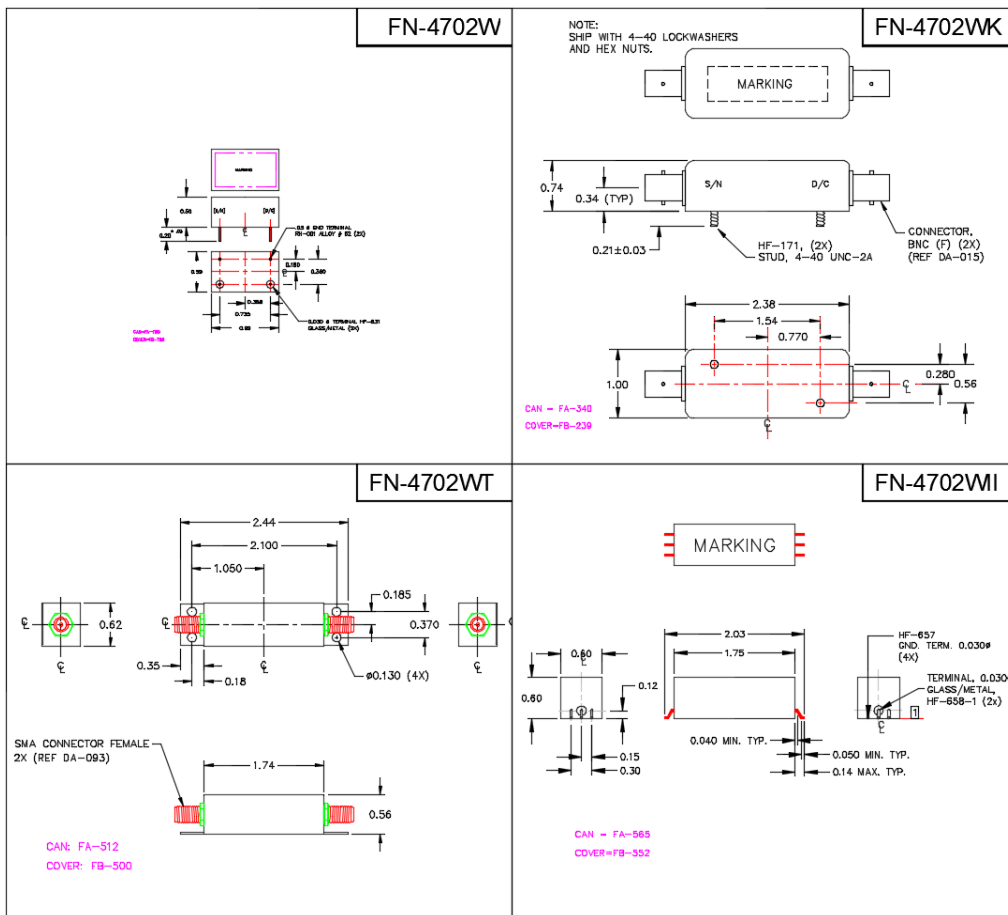
FILTRONETICS Inc

1. Part Number: FN-4702

2. Electrical Specifications:

Filter Type	Crystal Band Pass
Nominal Frequency (Fo)	162.025MHz
Oscillation mode:	Fundamental
Number of poles:	6
Pass bandwidth:	±12.5 KHz Min (at 3dB)
Pass band ripple:	1.0dB Max
Insertion Loss:	5.0dB Max
Stop bandwidth:	±25 KHz Max (at25dB)
Guaranteed attenuation:	40dB Min (At F0 ±30 KHz to ±1000 KHz)
Spurious response:	30dB Min
Terminating Impedance:	50 Ohms
Operating Temperature:	-40 to +85°C

3. Example Mechanical Package Styles:



4. Theoretical Response Plots:

