

SPECIFICATION

ITEM: LC BAND PASS FILTER
 PART NUMBER: FN-4700W

ISSUED / REVISION	ENGINEER APPROVED	DOCUMENT CHECKED	DRAFTSMAN
12/21/2020 ^(PG)	12/21/2020 ^(TG)	12/21/2020 ^(JE)	12/21/2020 ^(PG)

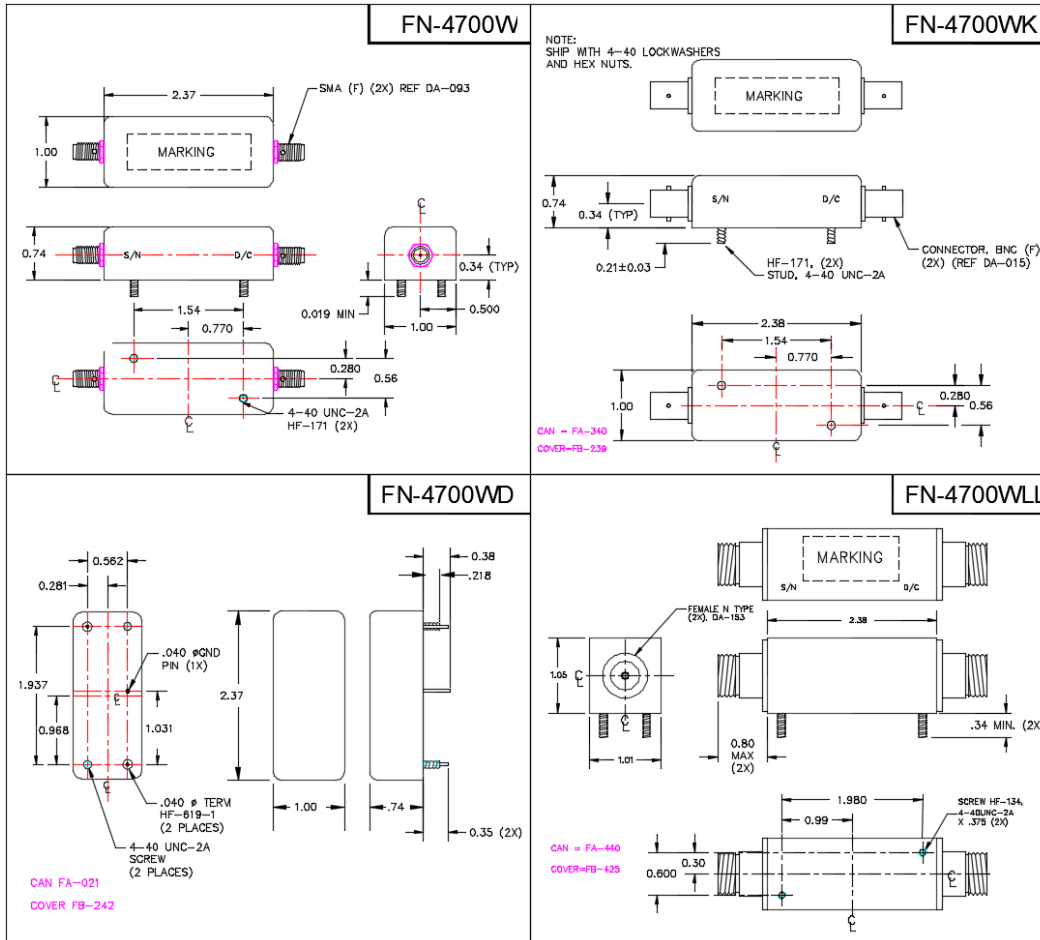
FILTRONETICS Inc

1. Part Number: FN-4700

2. Electrical Specifications:

Filter Type		Band Pass
Center Frequency (Fo)		98 MHz
2 dB Band Width:		87 – 109 MHz Min
Insertion Loss:		2 dB Max
Pass Band Ripple:		0 dB Typical
Attenuation:	At 79 MHz	15 dB Min
	At 120 MHz	
Input Power:		0 dBm Max
Impedance:		50 Ohms
Operating Temperature:		0 to 50°C
Workmanship:		J-STD-001

3. Example Mechanical Package Styles:



4. Theoretical Response Plot:

