

SPECIFICATION

ITEM: LC BAND PASS FILTER

PART NUMBER: FN-4676W

| ISSUED / REVISION | ENGINEER APPROVED | DOCUMENT CHECKED | DRAFTSMAN |
|----------------------------|----------------------------|----------------------------|-----------|
| 10/25/2019 ^(PG) | 11/26/2019 ^(TG) | 10/28/2019 ^(JE) | |
| | | | |

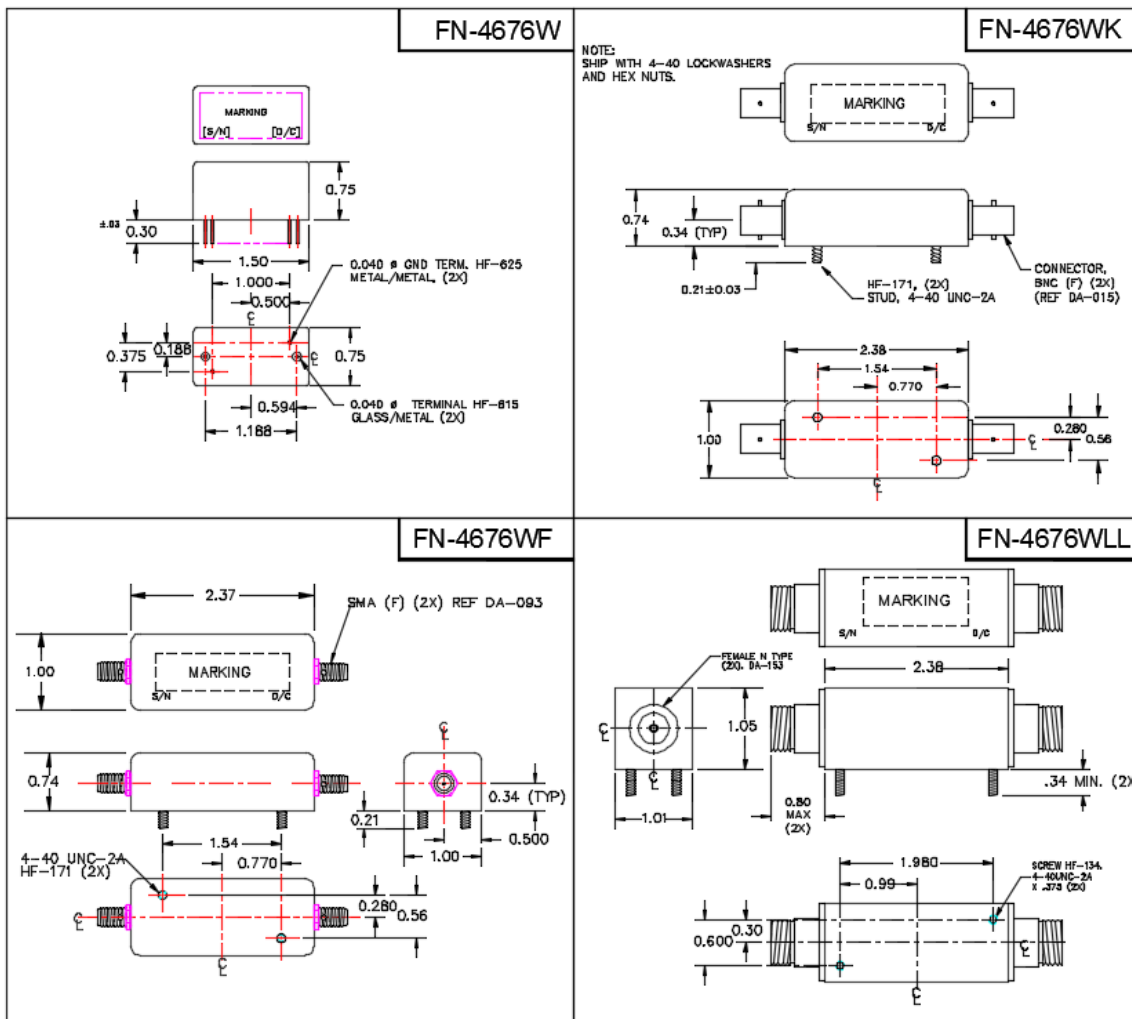
FILTRONETICS Inc

1. Part Number: FN-4676W

2. Electrical Specifications:

| | | |
|------------------------|------------|-----------------|
| Filter Type | | LC Band Pass |
| Center Frequency (Fo) | | 247.5 MHz |
| 3 dB Band Width: | | 15 MHz Min |
| Insertion Loss: | | 2.5 dB Max |
| Pass Band Ripple: | | 1 dB Max |
| Attenuation: | At 290 MHz | 40 dB Min |
| | At 205 MHz | 45 dB Min |
| Input Power: | | 0 dBm Max |
| Impedance: | | 50 Ohms |
| Operating Temperature: | | - 20°C to +85°C |
| Workmanship: | | J-STD-001 |

3. Mechanical Package Example Styles:



4. Theoretical Response Plot:

