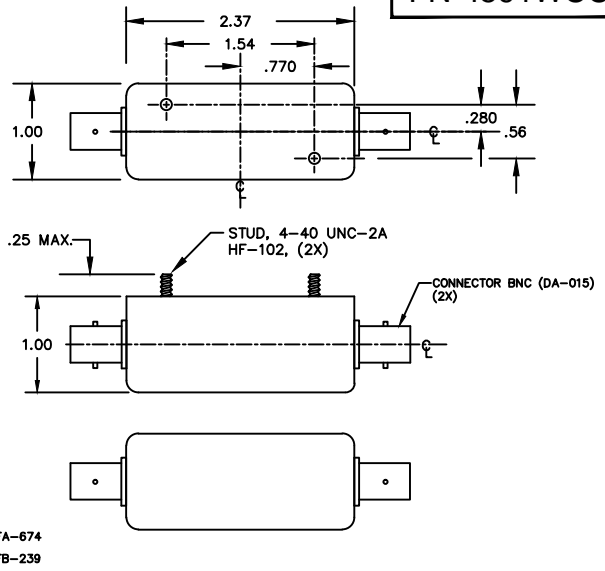


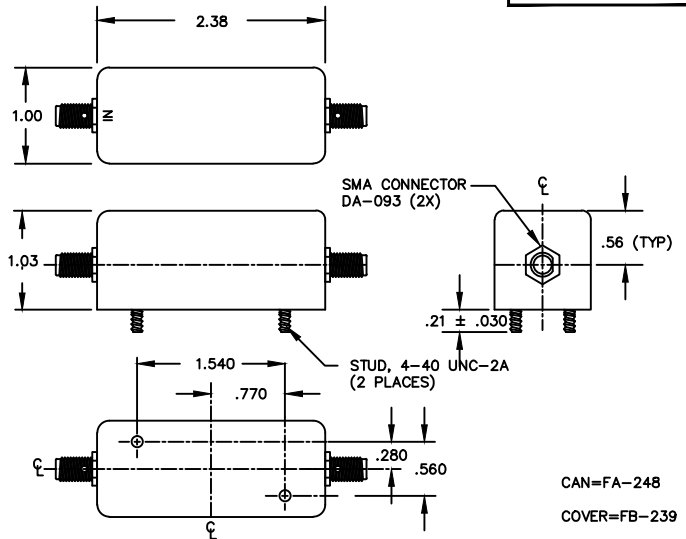
**FN-4591WCC**

Fo: 9.33 MHz  
 IMPEDANCE: 50 Ohms  
 INSERTION LOSS: 3.5 dB Max  
 RIPPLE: 0.5 dB Max  
 3dB BANDWIDTH: 250 kHz Min  
 50dB BANDWIDTH: 1250 kHz Max  
 OPERATING POWER: +10 dBm Max  
 NON-OPERATING POWER: +30 dBm Max  
 OPERATING TEMPERATURE : -10°C to +70°C  
 INSTALLATION TEMPERATURE: Case Temp.  
 not to exceed  
 +170°C



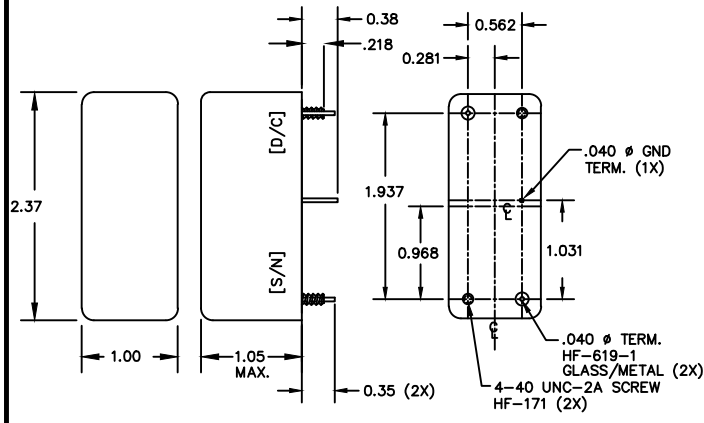
CAN = FA-674  
 COVER=FB-239

**FN-4591WE**



CAN=FA-248  
 COVER=FB-239

**FN-4591W**



CAN=FA-020  
 COVER=FB-242

**FN-4591W DRAWING SUMMARY**

**FILTRONETICS, INC.**  
 6010 PARRETTA DR.  
 KANSAS CITY, MO 64120  
 816-231-7375  
 FAX 816-241-0368  
 WWW.FILTRO.NET

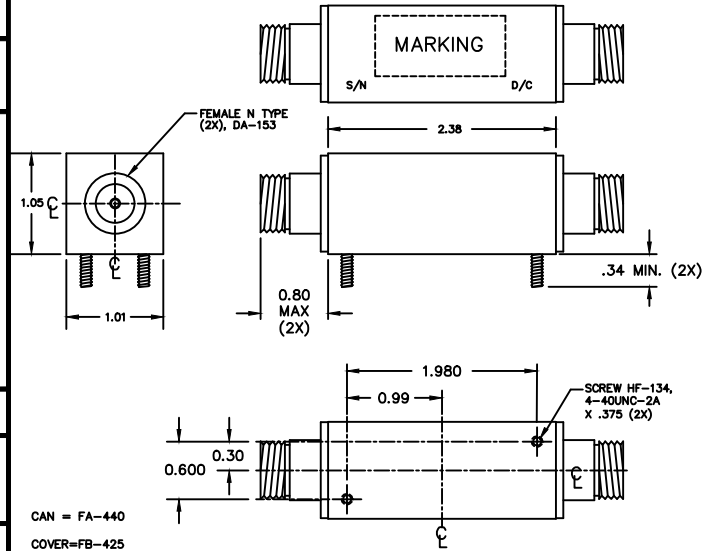
TOLERANCES UNLESS NOTED

.XX = ± .020  
 .XXX = ± .010

ANGLE = ± 1°  
 HOLES = ± .002

REVISED 11/14/17

**FN-4591WLL**



CAN = FA-440  
 COVER=FB-425