

**FN-4519WK**

FILTER TYPE: CRYSTAL BAND STOP

Fo: 13.560 MHz

IMPEDANCE : 50Ω

INSERTION LOSS: 2 dB MAX

RIPPLE: 1 dB MAX

1dB HIGH SIDE BANDWIDTH:

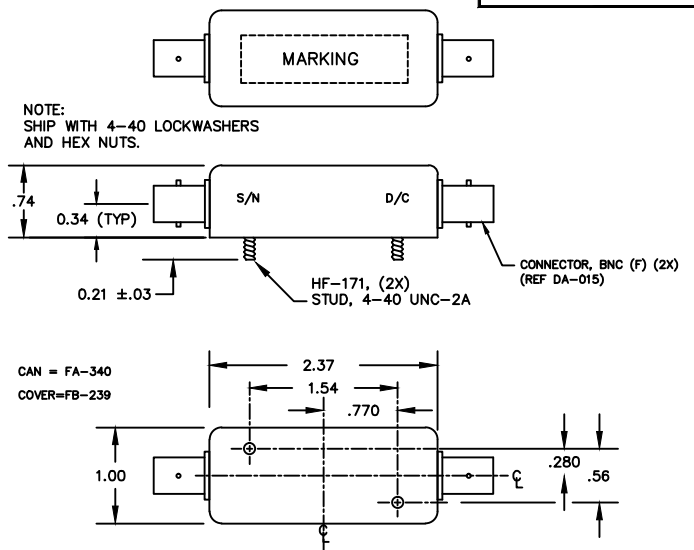
13.95 TO 14.85 MHz

3dB HIGH SIDE BANDWIDTH:

14 kHz NOMINAL

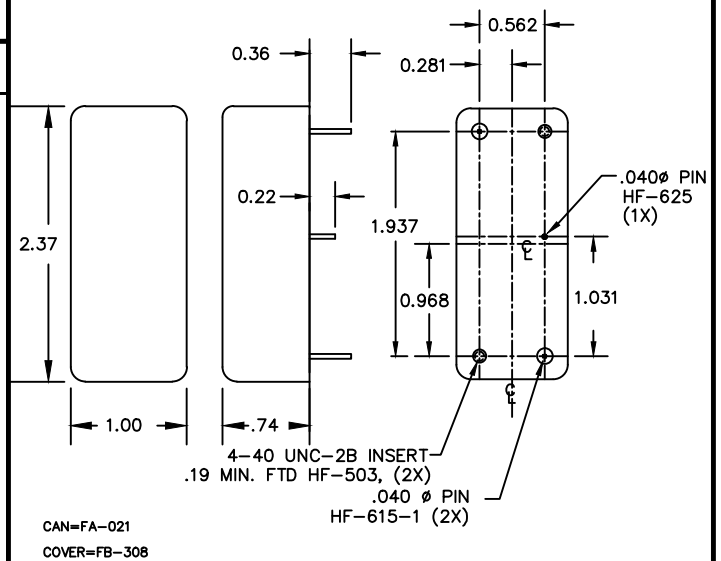
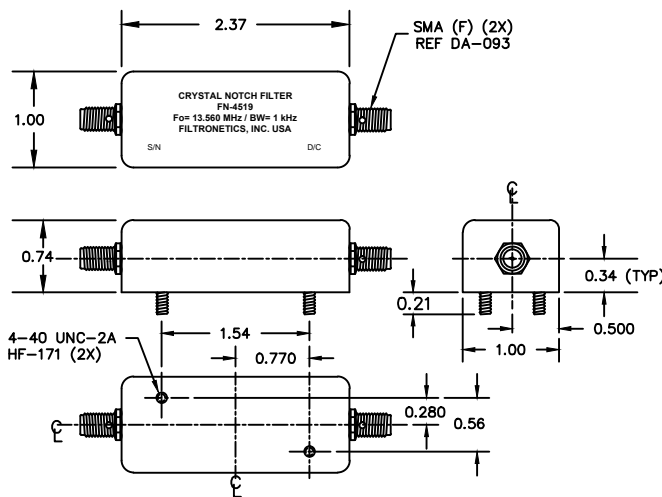
70dB BANDWIDTH: ±500Hz MIN

OPERATING TEMPERATURE : -32°C TO +70°C



**FN-4519WI**

**FN-4519W**



**FN-4519WLL**

**FN-4519W DRAWING SUMMARY**

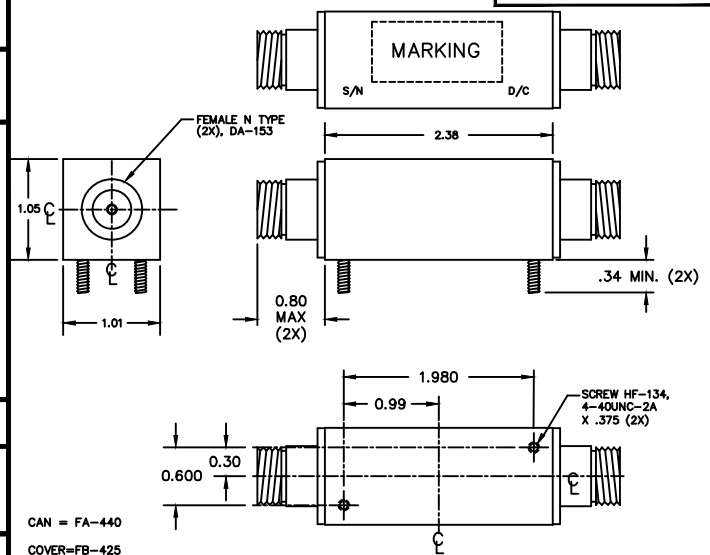
**FILTRONETICS, INC.**  
6010 PARRETTA DR.  
KANSAS CITY, MO 64120  
816-231-7375  
FAX 816-241-0368  
WWW.FILTRO.NET

TOLERANCES UNLESS NOTED

.XX = ± .020  
.XXX = ± .010

ANGLE = ± 1°  
HOLES = ± .002

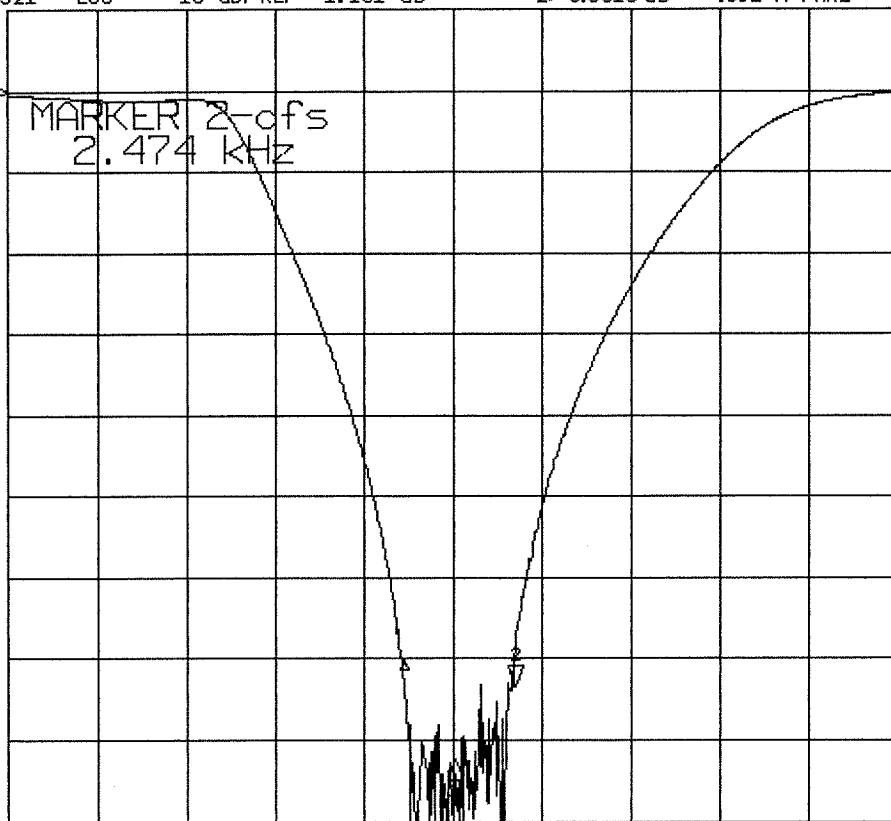
REVISED



# PERFORMANCE RESPONSE PLOTS

12 May 2016 07:29:31

CH1 S21 LOG 10 dB/REF -1.151 dB 2:-3.0516 dB .002 474 MHz



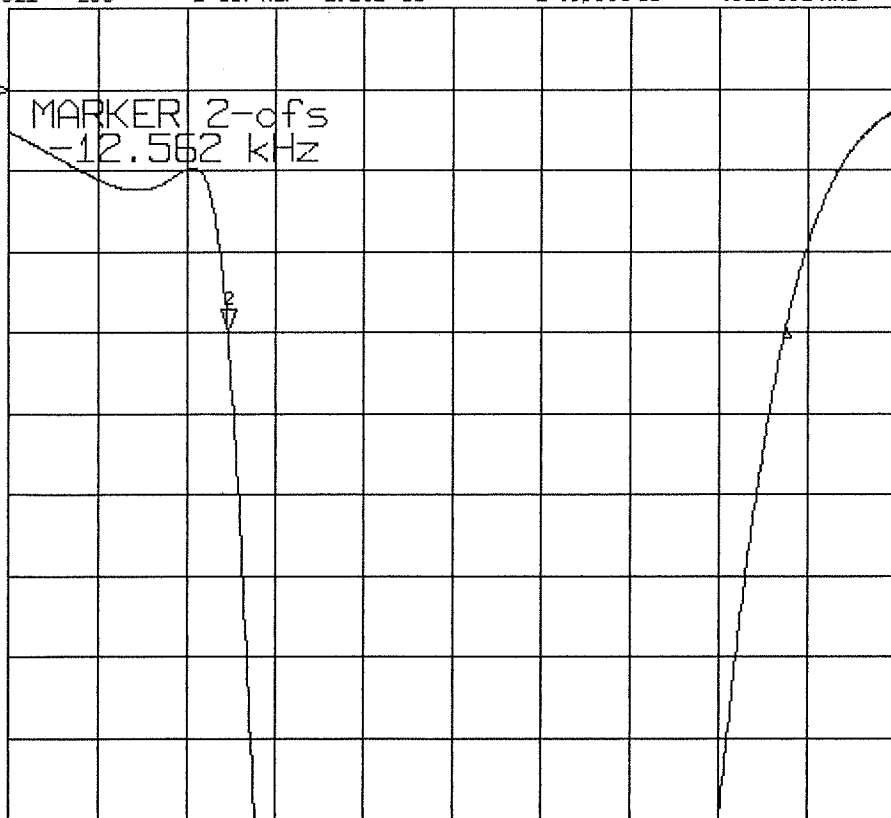
CH1 Markers  
ΔREF=Δ  
1:-10.856 dB  
1.14800 kHz

CENTER 13.560 000 MHz

SPAN .020 000 MHz

12 May 2016 07:31:01

CH1 S21 LOG 1 dB/REF -1.151 dB 2: .00390 dB -.012 562 MHz



CH1 Markers  
ΔREF=Δ  
1:-88.040 dB  
-7.47600 kHz

CENTER 13.560 000 MHz

SPAN .020 000 MHz

12 May 2016 07:40:10

CH1 S21 LOG 1 dB/REF -1.003 dB

1:-1.0027 dB 14.555 070 MHz

