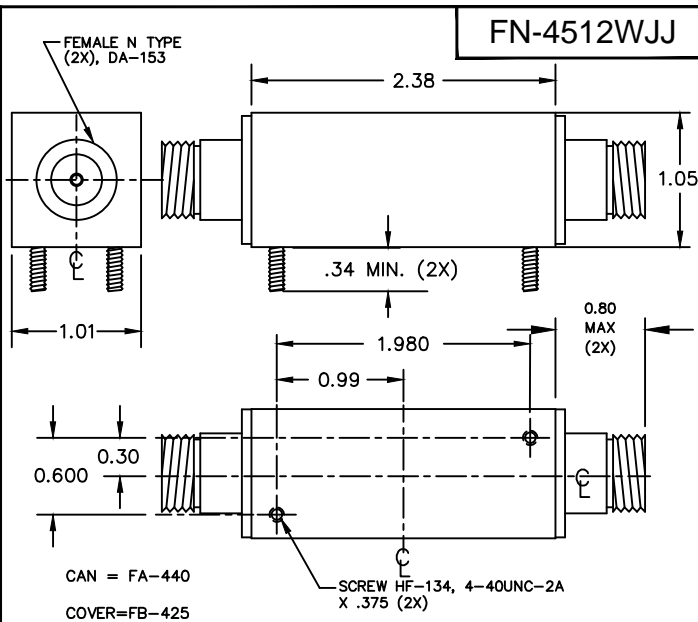
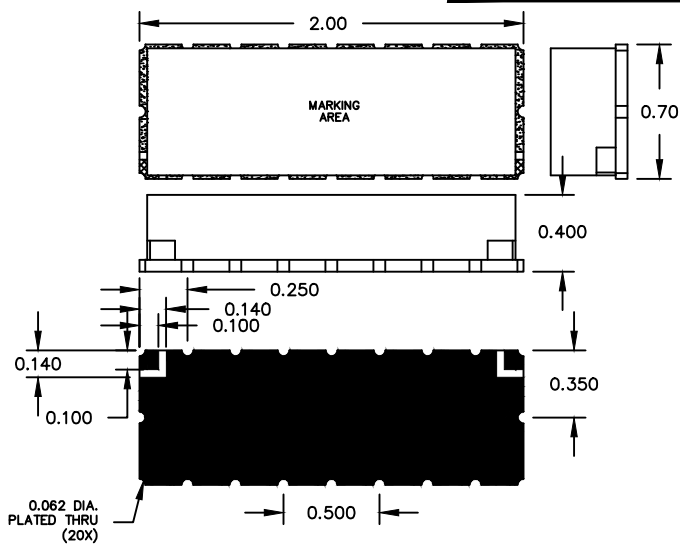


LC BANDPASS FILTER

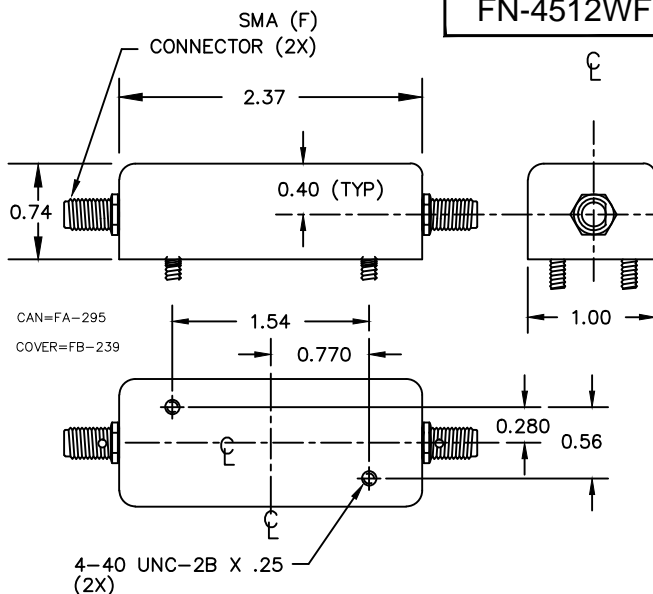
Fo: 250.0 MHz
 INSERTION LOSS: 3 dB MAX
 PASS BAND RIPPLE: 0.5 dB MAX
 3 dB BANDWIDTH: 10 MHz MIN
 30 dB BANDWIDTH: 200 MHz MIN
 30 dB BANDWIDTH: 300 MHz MIN
 ULTIMATE ATTENUATION: 40 dB MIN
 IMPEDANCE : 50 OHMS
 RoHS COMPLIANT: NO



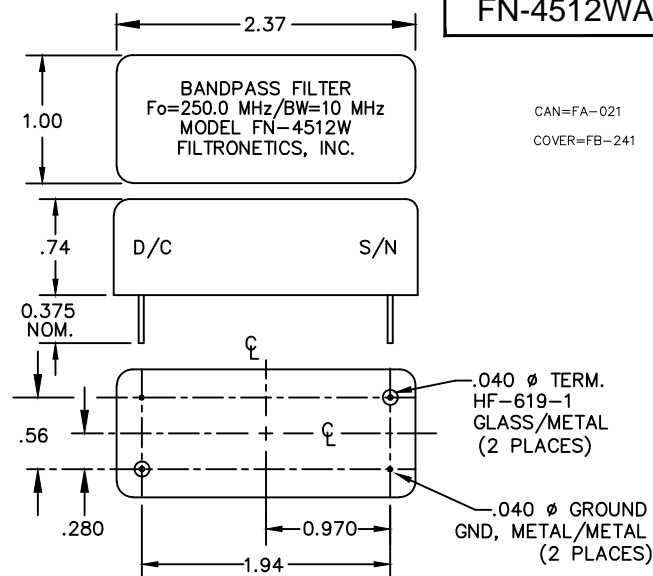
FN-4512W



FN-4512WF



FN-4512WA



FN-4512W DRAWING SUMMARY

FILTRONETICS, INC.
 6010 PARRETTA DR.
 KANSAS CITY, MO 64120
 816-231-7375
 FAX 816-241-0368
 WWW.FILTRO.NET

TOLERANCES UNLESS NOTED

.XX = ± .020	ANGLE = ± 1°
.XXX = ± .010	HOLES = ± .002

REVISED 6/27/2016

FILTRONETICS, INC. PROVIDES CUSTOM FILTERS. PLEASE CONTACT FACTORY.