

Center Frequency
 3 dB Band Width
 Insertion Loss
 Return Loss
 Pass Band Ripple
 Attenuation

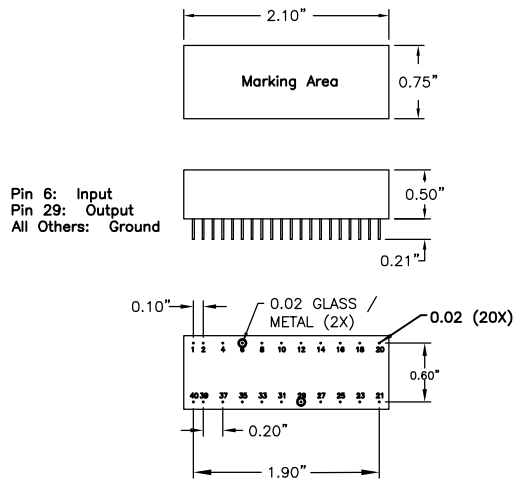
(Fo) 160 MHz
 3.5 MHz Nominal
 21dB ± 3 dB
 Fo ± 1.75MHz 9.5 dB Min
 ± 0.5 dB Max

Phase Linearity
 Input Power
 Impedance:
 Operating Temperature
 Storage Temperature
 Workmanship
 RoHS Compliant

100 Mhz to 151.7MHz / 55dB Min
 168.3 MHz to 200 Mhz / 55dB Min
 Fo ± 1.75 MHz 6*p-p
 0 dBm Max
 50 Ohms
 -40°C to +85°C
 -55°C to +125°C
 J-STD-001
 NO

Customer Installation Temperature Case temperature not to exceed +170°C.

FN-4505W



FN-4505W

FILTRONETICS, INC.
 6010 PARRETTA DR. KANSAS CITY, MO
 64120 816-231-7375 FAX 816-241-0368
 WWW.FILTRO.NET