

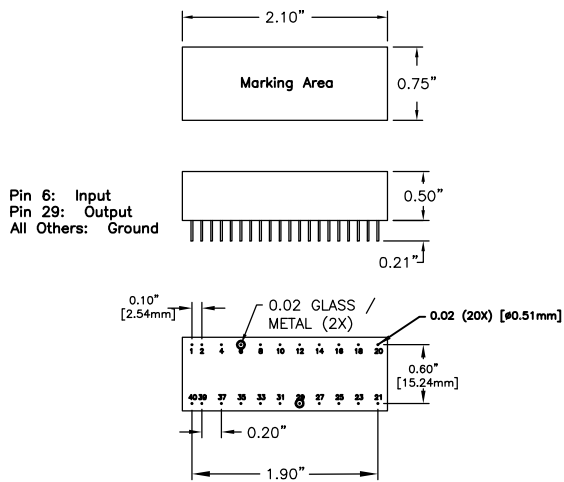
Center Frequency (Fo) 10.7 MHz
 1 dB Band Width: 280 KHz Nominal
 3 dB Band Width: 330 KHz -15/+25
 Insertion Loss: 19dB Min 23 dB Max
 Pass Band Ripple: ± 0.5 dB Max
 35 dBc Band Width: 660 KHz Max
 Attenuation

3 MHz to 9.4 MHz / 40 dB Min
 12 MHz to 20 MHz /40 dB Min
 Fo ± 100 KHz ±250 nSec Max
 0 dBm Max
 50 Ohms
 -40°C to +85°C
 -55°C to +125°C
 J-STD-001
 RoHS Compliant NO

Group Delay Variation:
 Input Power:
 Impedance:
 Operating Temperature:
 Storage Temperature:
 Workmanship:

Customer Installation Temperature Case temperature not to exceed +170°

FN-4502W



FN-4502W

FILTRONETICS, INC.
 6010 PARRETTA DR. KANSAS CITY, MO
 64120 816-231-7375 FAX 816-241-0368
 WWW.FILTRO.NET