

Center Frequency
 Operating Temperature Range
 Dimension
 See package LA
 Critical Parameter (Height)
 3dB Pass Band
 Ripple in Pass Band
 Insertion Loss
 Stop Band Attenuation

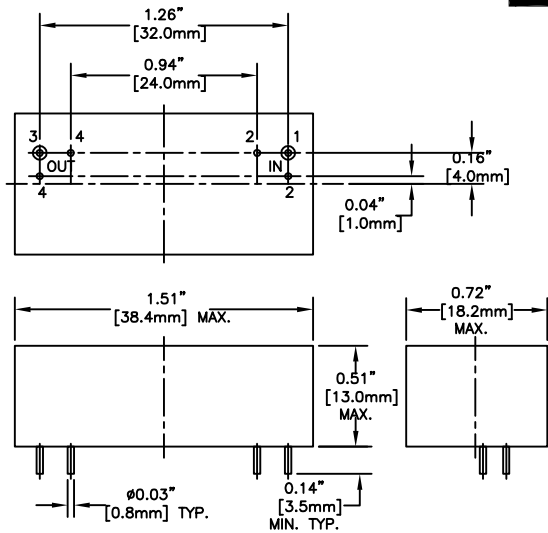
(Fc) 5MHz Fixed Compliant
 -20 to +70°C Compliant
 40mm x 19mm x 14mm Max Compliant

14mm Max, to meet VME board size Compliant
 Fc ±100Hz Compliant
 <0.5dB or better Compliant
 <6dB or better Compliant

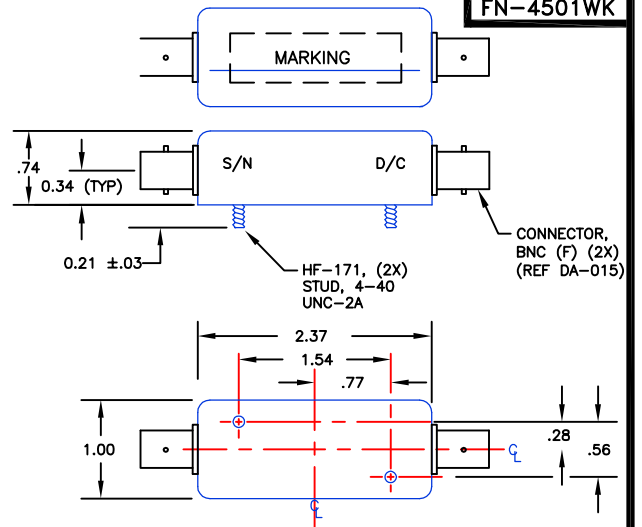
>40dB at Fc ±1.0KHz or better Compliant
 >60dB at Fc ±1.5KHz or better Compliant
 >80dB at Fc ±2.0KHz or better Non Compliant: >70dB
 Better than -40dBc Compliant
 50 Ohm Compliant
 +10dBm
 0dBm Operating / +10dBm without damage
 <500 uSec or better Compliant

Spurious
 Input / Output Impedance
 Working Input Power Level
 Non Compliant:
 Differential Group Delay in PB

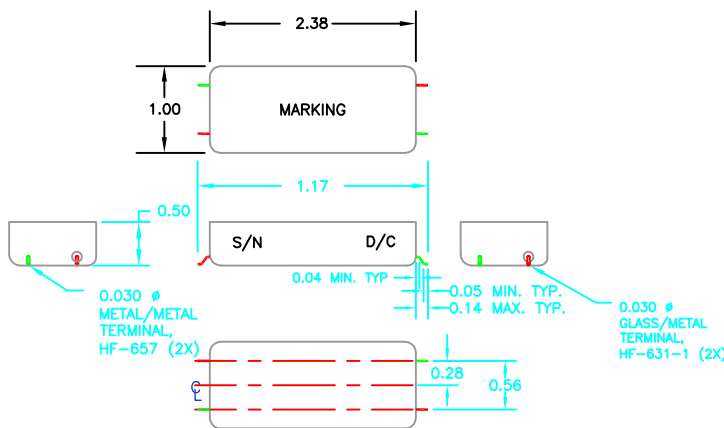
FN-4501W



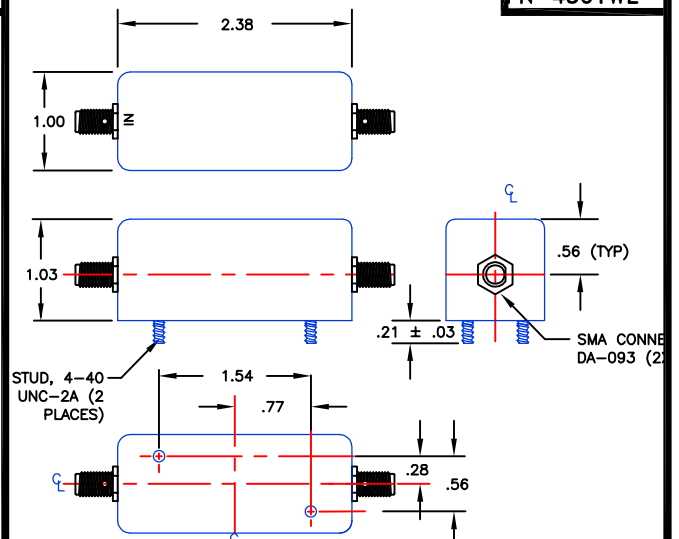
FN-4501WK



FN-4501WDD



FN-4501WE



FN-4501W

FILTRONETICS, INC.

6010 PARRETTA DR. KANSAS CITY, MO
 64120 816-231-7375 FAX 816-241-0368
 WWW.FILTRO.NET