

Center Frequency
 Operating Temperature Range
 Dimension
 See package LA
 Critical Parameter (Height)
 3dB Pass Band
 Ripple in Pass Band
 Insertion Loss
 Stop Band Attenuation

(Fc) 5MHz Fixed Compliant
 -20 to +70°C Compliant
 40mm x 19mm x 14mm Max Compliant

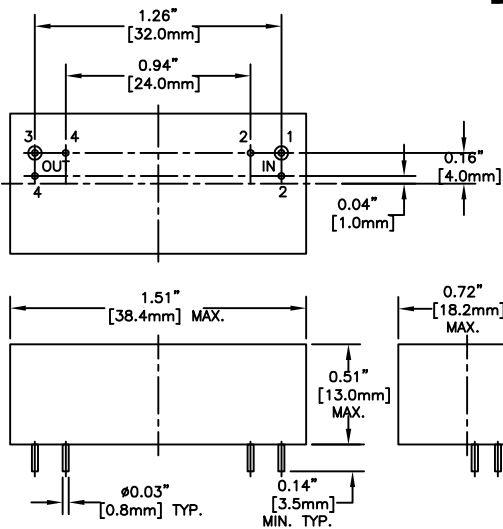
14mm Max, to meet VME board size Compliant
 Fc ±200Hz Compliant
 <0.5dB or better Compliant
 <6dB or better Compliant

Spurious Better than
 Input / Output Impedance
 Working Input Power Level

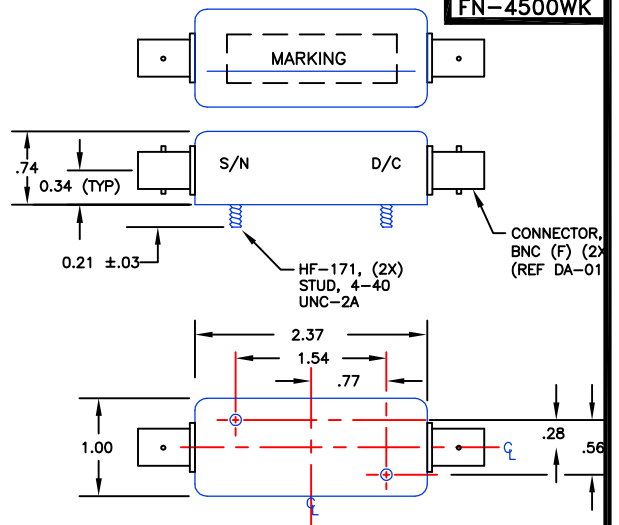
Fc ±1.5KHz / >40dB
 Fc ±4.5KHz / >70dB
 Ultimate Rejection >80dB or better Non Compliant: >70dB
 -40dBc Compliant
 50 Ohm Compliant
 +10dBm
 Non Compliant: 0dBm Operating /
 +10dBm without damage
 <400 uSec or better Compliant

Differential Group Delay in PB

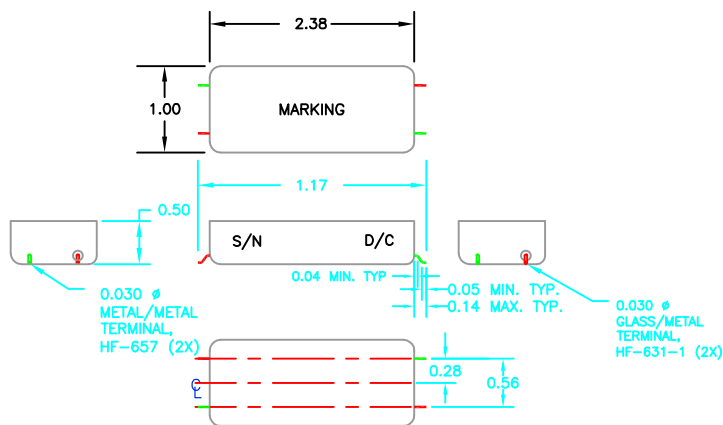
FN-4500W



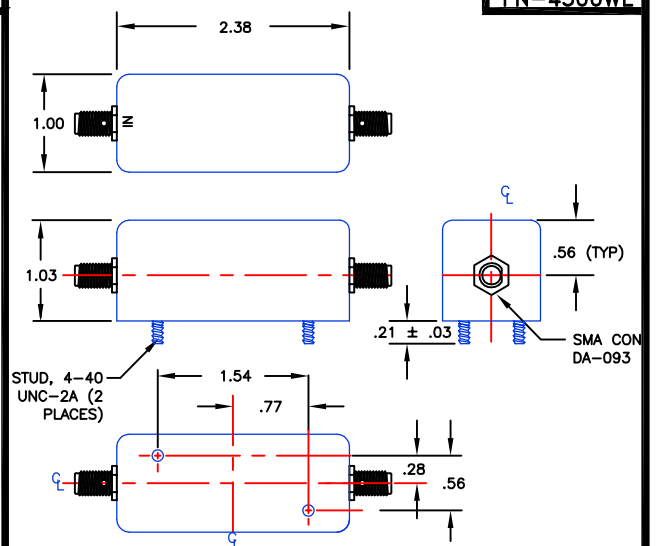
FN-4500WK



FN-4500WDD



FN-4500WE



FN-4500W

FILTRONETICS, INC.

6010 PARRETTA DR. KANSAS CITY, MO
 64120 816-231-7375 FAX 816-241-0368
 WWW.FILTRO.NET