

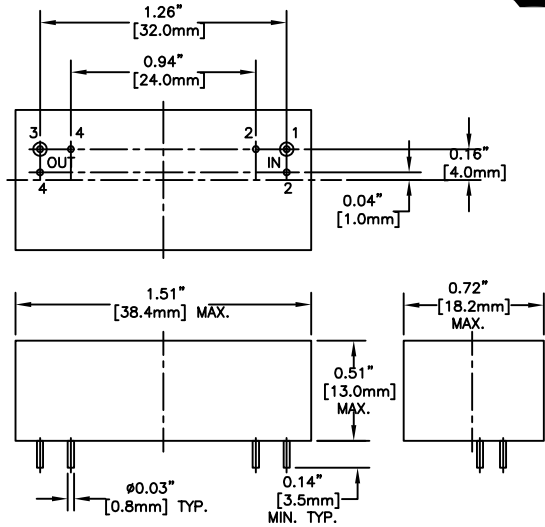
Center Frequency
 Operating Temperature Range
 Dimension
 See package LA
 Critical Parameter (Height)
 3dB Pass Band Fc ±500Hz Compliant
 Ripple in Pass Band
 Insertion Loss
 Stop Band Attenuation

(Fc) 5MHz Fixed Compliant
 -20 to +70°C Compliant
 40mm x 19mm x 14mm Max Compliant
 14mm Max, to meet VME board size Compliant
 <0.5dB or better Compliant
 <3dB or better Non Compliant: <5dB
 >40dB at Fc ±4KHz or better Compliant
 >80dB at Fc ±12KHz or better Non Compliant: >70dB

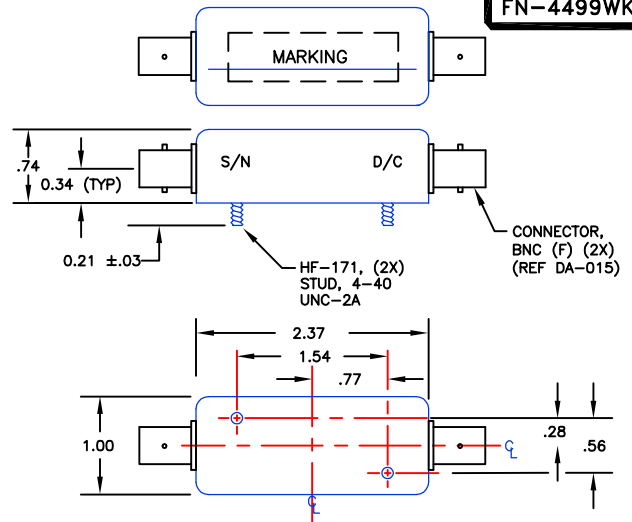
Ultimate Rejection
 Spurious
 Input / Output Impedance
 Working Input Power Level
 Differential Group Delay in PB

>80dB or better Non Compliant: >70dB
 Better than -40dBc Compliant
 50 Ohm Compliant
 +10dBm Non Compliant: 0dBm Operating /+10dBm without damage
 <300 uSec or better Compliant

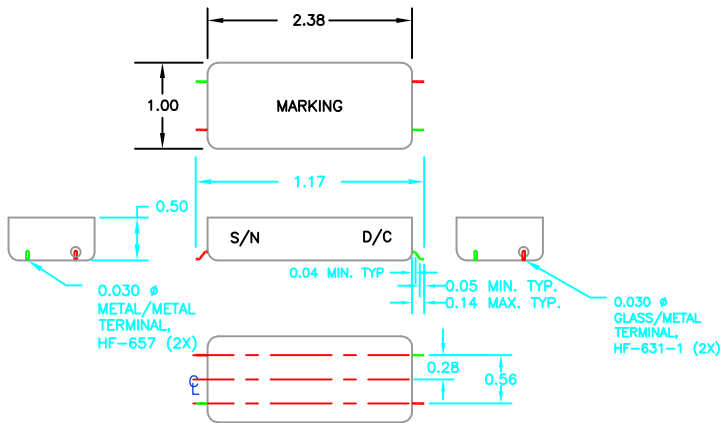
FN-4499W



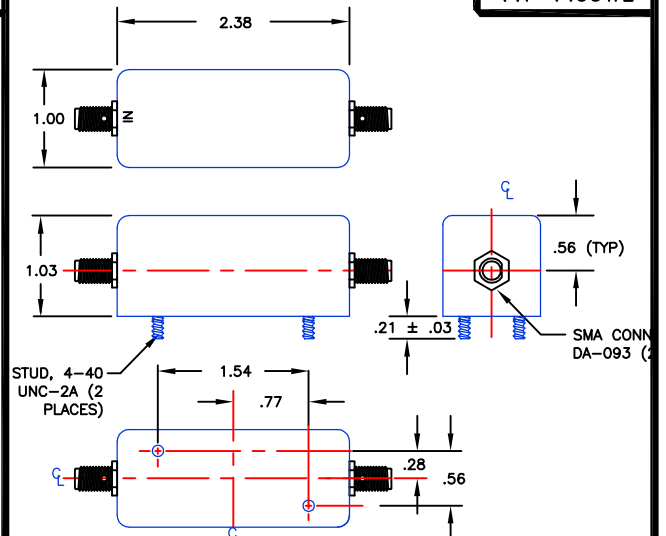
FN-4499WK



FN-4499WDD



FN-4499WE



FN-4499W

FILTRONETICS, INC.

6010 PARRETTA DR. KANSAS CITY, MO
 64120 816-231-7375 FAX 816-241-0368
 WWW.FILTRO.NET