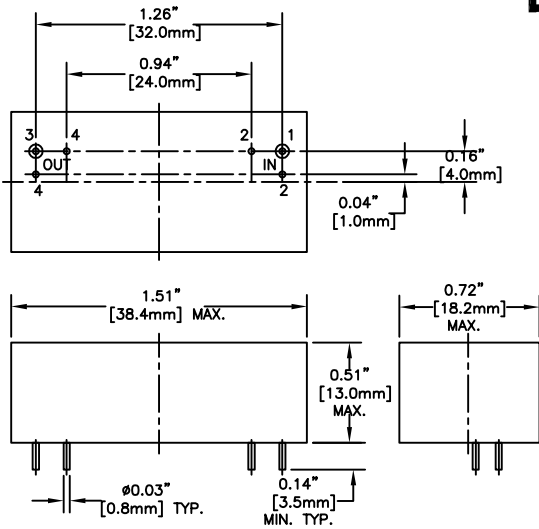


Center Frequency (Fc)  
 Operating Temperature Range  
 Dimension  
 See package LA Critical Parameter (Height)  
 3dB Pass Band Fc  
 Ripple in Pass Band  
 Insertion Loss  
 Stop Band Attenuation

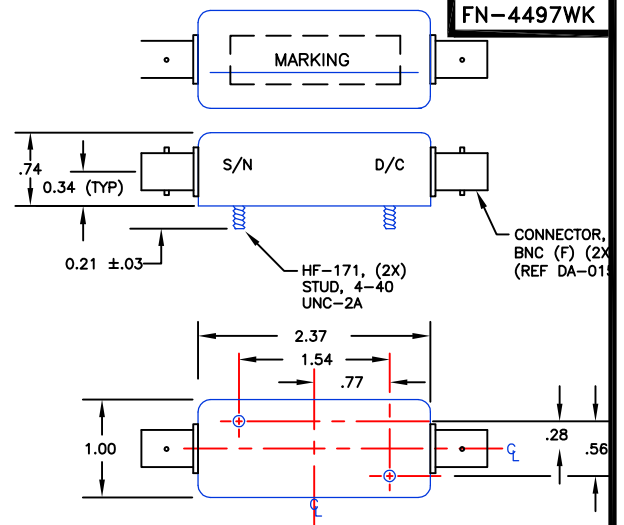
5MHz Fixed Compliant  
 -20 to +70°C Compliant  
 40mm x 19mm x 14mm Max Compliant  
 14mm Max, to meet VME board size Compliant  
 ±3KHz Compliant  
 <0.5dB or better Compliant  
 <4dB or better Non Compliant: 5.2dB  
 >60dB at ±25KHz or better Compliant  
 >80dB at ±40KHz or better Non Compliant: 70dB  
 Better than -40dBc Compliant  
 50 Ohm Compliant  
 +10dBm Compliant  
 <200 uSec or better Compliant

Spurious  
 Input / Output Impedance  
 Working Input Power Level  
 Differential Group Delay in PB

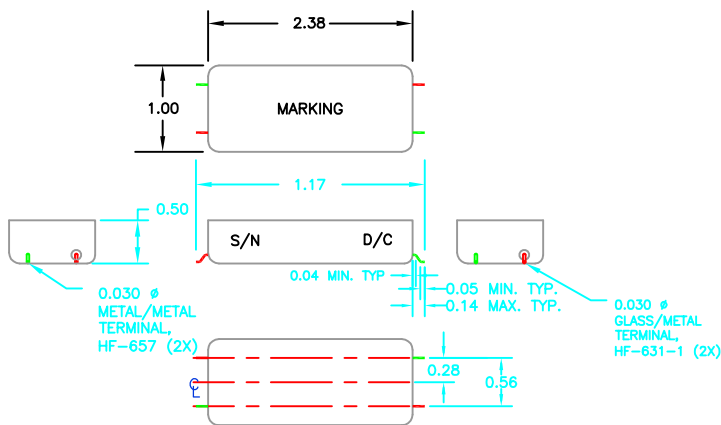
FN-4497W



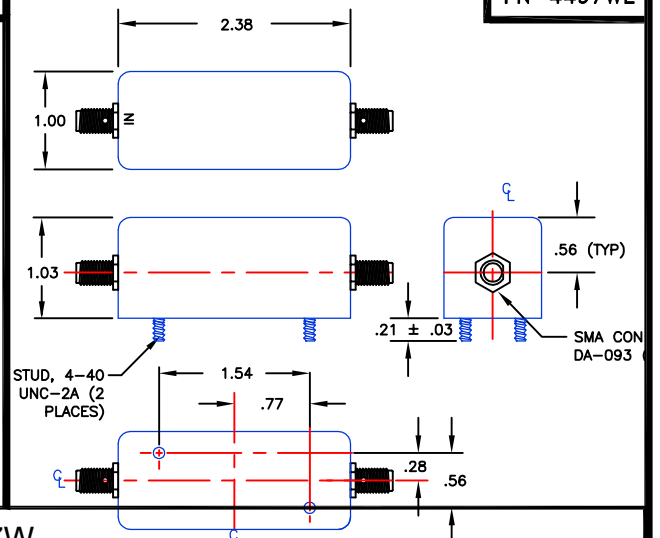
FN-4497WK



FN-4497WDD



FN-4497WE



FN-4497W

**FILTRONETICS, INC.**  
 6010 PARRETTA DR. KANSAS CITY, MO  
 64120 816-231-7375 FAX 816-241-0368  
 WWW.FILTRO.NET