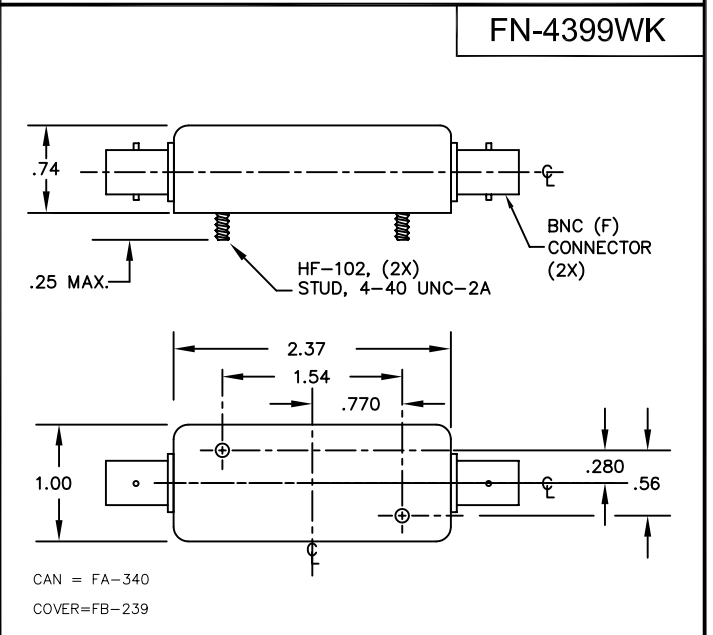
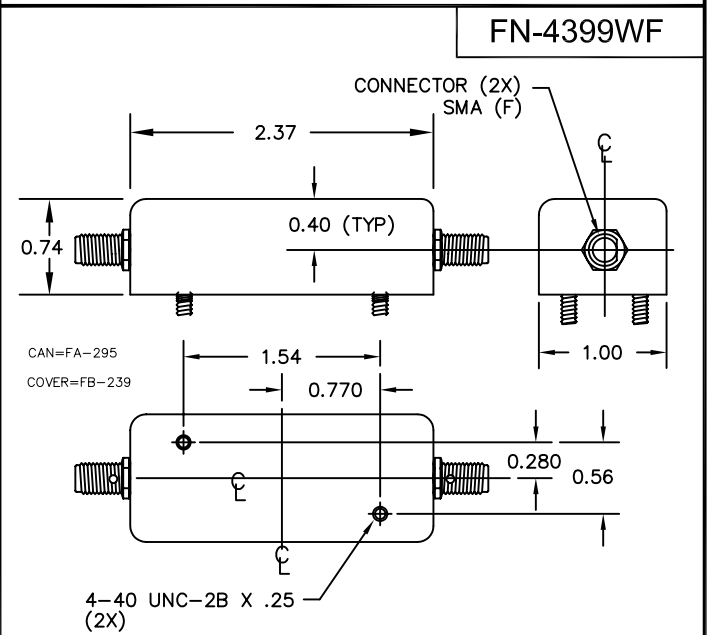
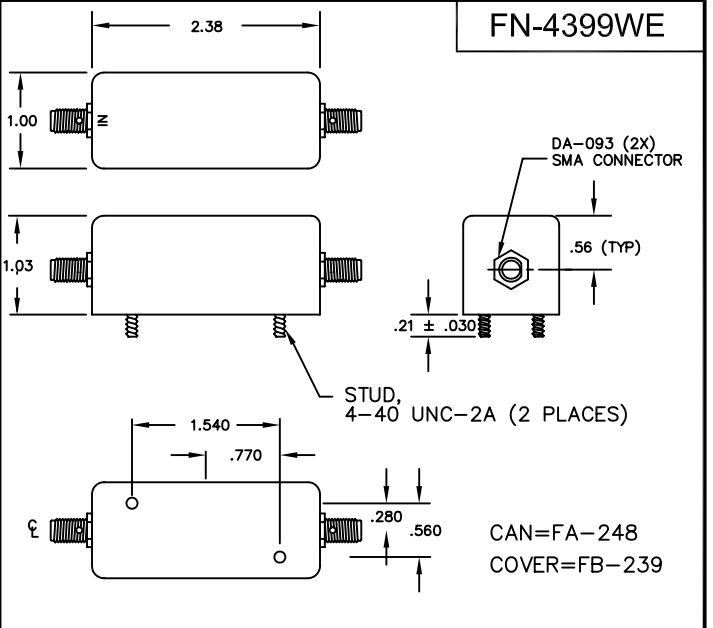
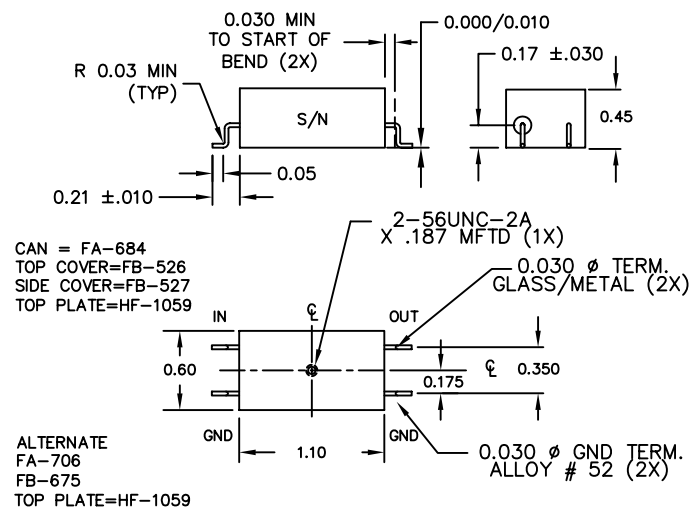


# CRYSTAL BAND PASS FILTER

**Fo:** 140 MHz  
**1dB BAND WIDTH:** 560 KHz MIN  
**3dB BAND WIDTH:** 600 KHz MIN  
**INSERTION LOSS:** 5.5 dB MAX (5dB Target)  
**PASS BAND RETURN LOSS:** 7.5dB MIN @ Fo  
**PASS BAND RIPPLE:** 1dB MIN  
**45dBc BAND WIDTH:** ±850 KHz MIN  
**INPUT POWER:** 0dBm  
**IMPEDANCE :** 50 ohms  
**RANDOM VIBRATION:** 6g rms, 20Hz to 2000Hz  
**HUMIDITY:** 90% at 40°C  
**OPERATING TEMPERATURE :** -20°C to +65°C  
**STORAGE TEMPERATURE :** -30°C to +70°C



## FN-4399W



## FN-4399W DRAWING SUMMARY

**FILTRONETICS, INC.**  
 6010 PARRETTA DR.  
 KANSAS CITY, MO 64120  
 816-231-7375  
 FAX 816-241-0368  
 WWW.FILTRO.NET

TOLERANCES UNLESS NOTED

.XX = ± .020  
.XXX = ± .010

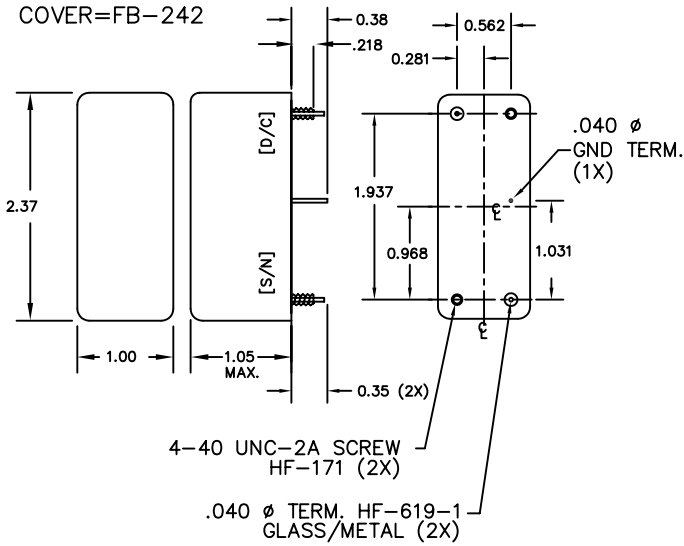
ANGLE = ± 1°  
HOLES = ± .002

ISSUED 07/24/2013

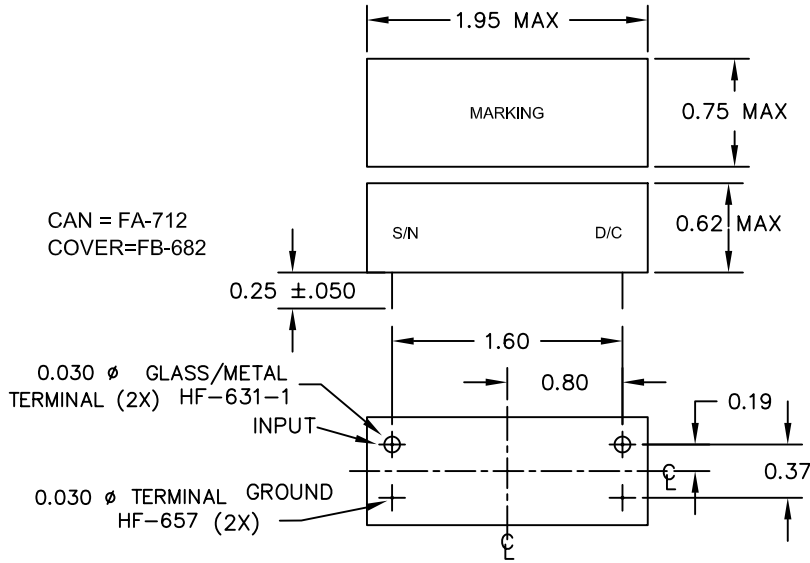
SHEET 1 OF 2

FN-4399WR

CAN=FA-020  
COVER=FB-242



FN-4399WMM



FN-4399W DRAWING SUMMARY

**FILTRONETICS, INC.**  
6010 PARRETTA DR.  
KANSAS CITY, MO 64120  
816-231-7375  
FAX 816-241-0368  
WWW.FILTRO.NET

TOLERANCES UNLESS NOTED

.XX = ± .020  
.XXX = ± .010

ANGLE = ± 1°  
HOLES = ± .002

ISSUED 07/24/2013

SHEET 2 OF 2