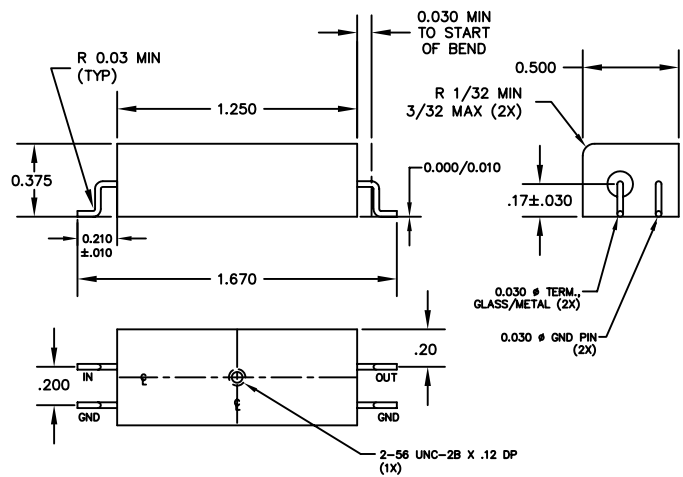


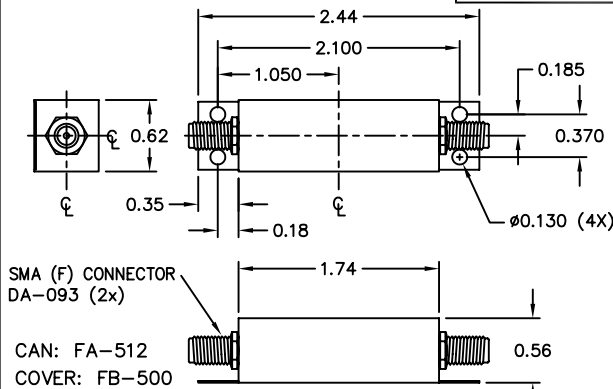
LOW PASS FILTER

3 dB CUTOFF: 82 MHz MIN
 50dB MIN STOPBAND: 90 to 500 MHz
 INSERTION LOSS: 0.25 dB MAX
 RIPPLE: 0.5 dB MAX
 VSWR to 74 MHz: 1.5:1 MAX
 OPERATING TEMPERATURE : -40°C to +85°C

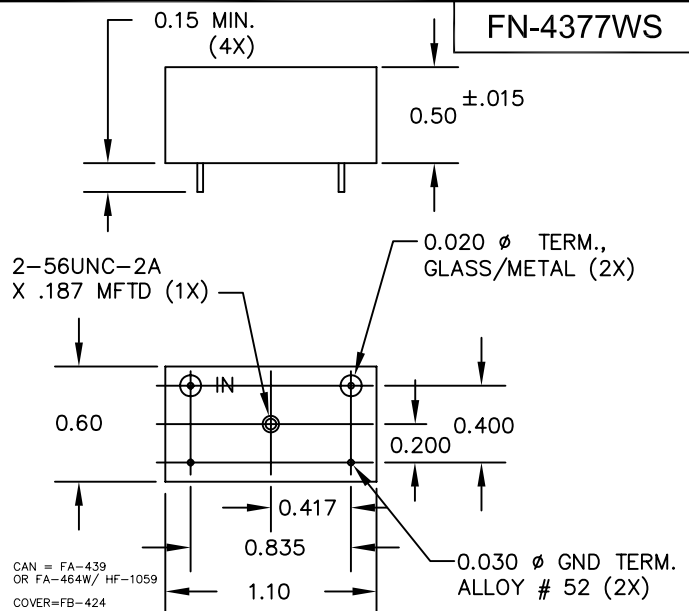
FN-4377WEE



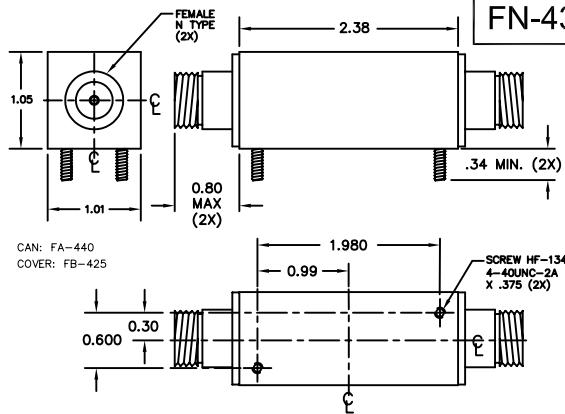
FN-4377W



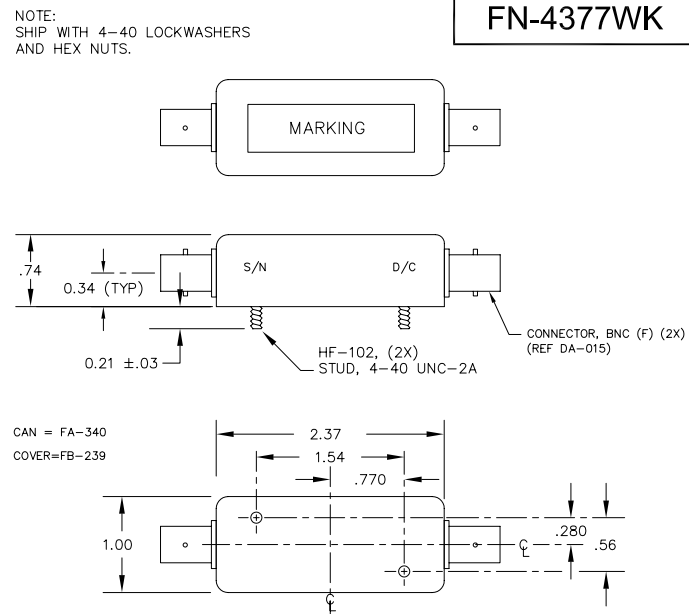
FN-4377WS



FN-4377WLL



FN-4377WK



FN-4377W DRAWING SUMMARY

FILTRONETICS, INC.
 6010 PARRETTA DR.
 KANSAS CITY, MO 64120
 816-231-7375
 FAX 816-241-0368
 WWW.FILTRO.NET

TOLERANCES UNLESS NOTED

.XX = ± .020
 .XXX = ± .010

ANGLE = ± 1°
 HOLES = ± .002

REVISED 06/07/13