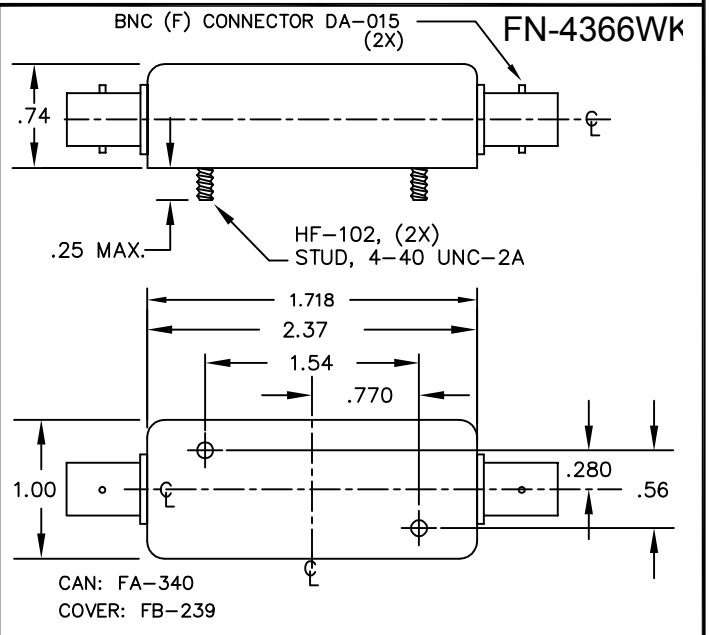
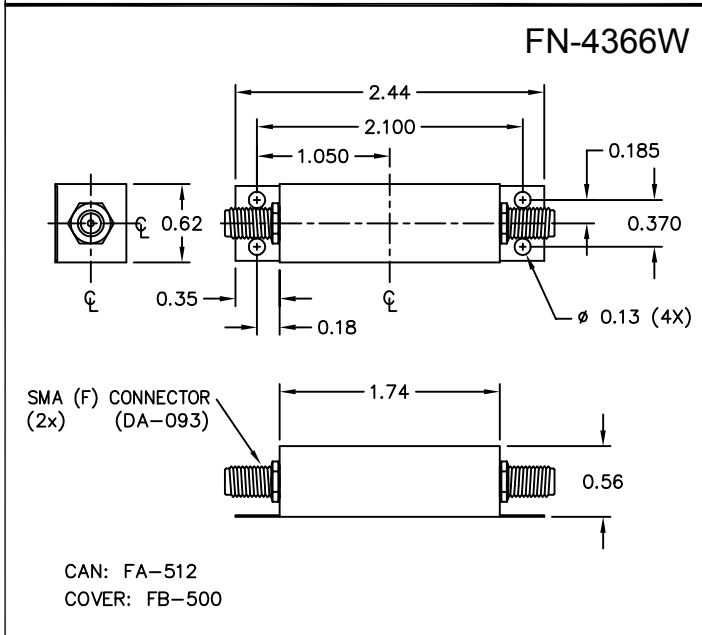


# CRYSTAL BANDPASS FILTER

**Fo:** 250 MHz  
**3dB BANDWIDTH:** 60 KHz NOM  
**50 dB BANDWIDTH:** 350 KHz MAX  
**INSERTION LOSS:** 6 dB MAX  
**IMPEDANCE:** 50 OHMS  
**RIPPLE:** 0.5 dB MAX  
**ULTIMATE:** 60 dB TYPICAL, NOT INCLUDING SPURIOUS  
**FREQUENCY UPPER LIMIT TBD**  
**OPERATING TEMPERATURE:** TBD

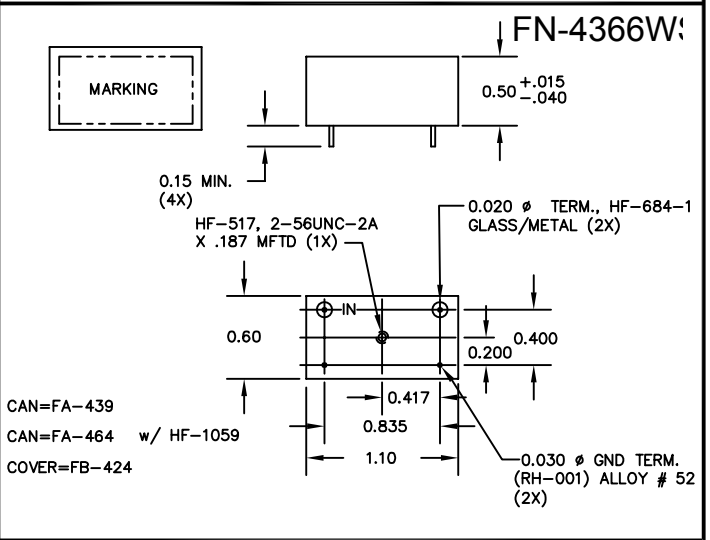


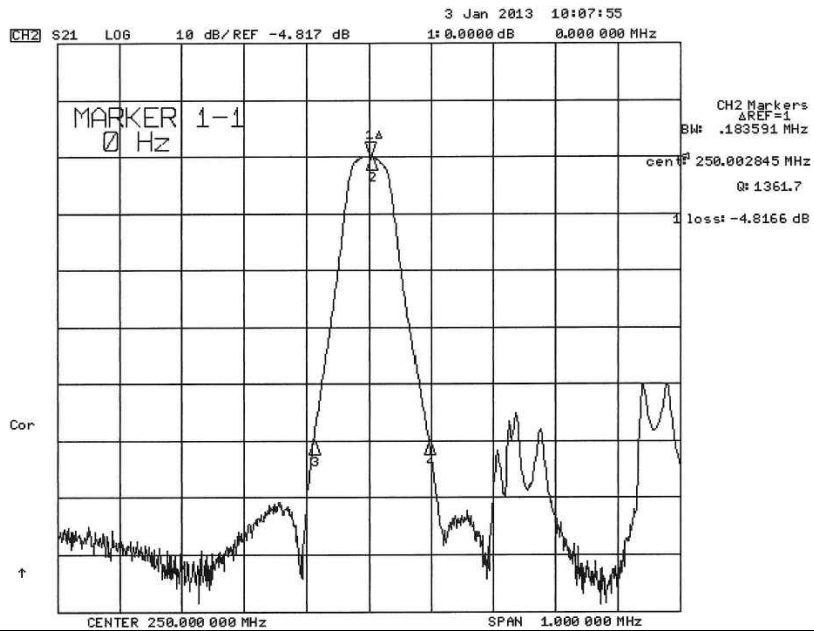
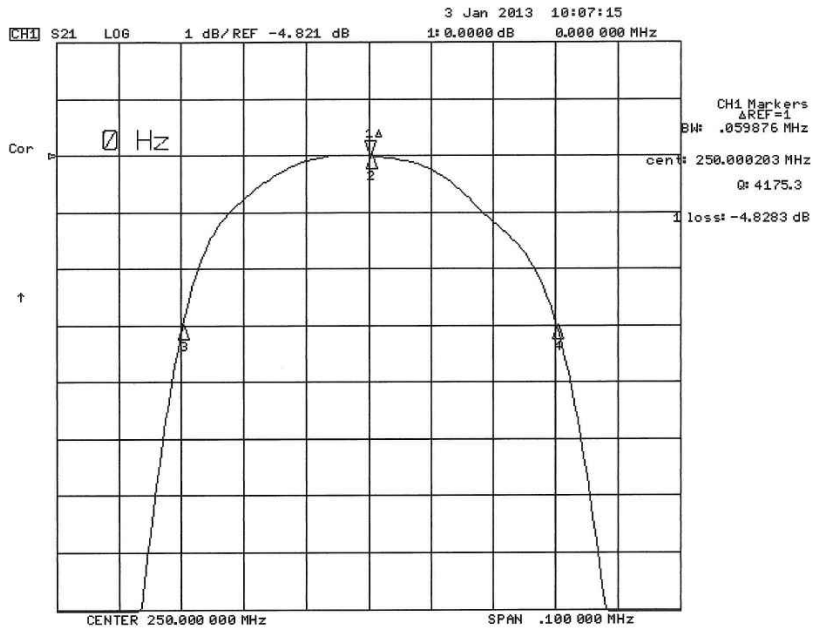
**FN-4366W DRAWING SUMMARY**

**FILTRONETICS, INC.**  
 6010 PARRETTA DR.  
 KANSAS CITY, MO 64120  
 816-231-7375  
 FAX 816-241-0368  
 WWW.FILTRO.NET

TOLERANCES UNLESS NOTED

|                                       |   |
|---------------------------------------|---|
| .XX = $\pm .020$<br>.XXX = $\pm .010$ | ANGLE = $\pm 1^\circ$<br>HOLES = $\pm .002$ |
| REVISED 12/15/2014                    | PAGE 1 OF 2                                 |





## FN-4366W DRAWING SUMMARY

**FILTRONETICS, INC.**

6010 PARRETTA DR.  
 KANSAS CITY, MO 64120  
 816-231-7375  
 FAX 816-241-0368  
 WWW.FILTRO.NET

TOLERANCES UNLESS NOTED

.XX =  $\pm$  .020  
 .XXX =  $\pm$  .010

ANGLE =  $\pm$  1°  
 HOLES =  $\pm$  .002

REVISED 09/05/2013

PAGE 2 OF 2

FILTRONETICS, INC. PROVIDES CUSTOM FILTERS, PLEASE CONTACT FACTORY.  
 DRAWING SUBJECT TO CHANGE WITHOUT NOTICE.