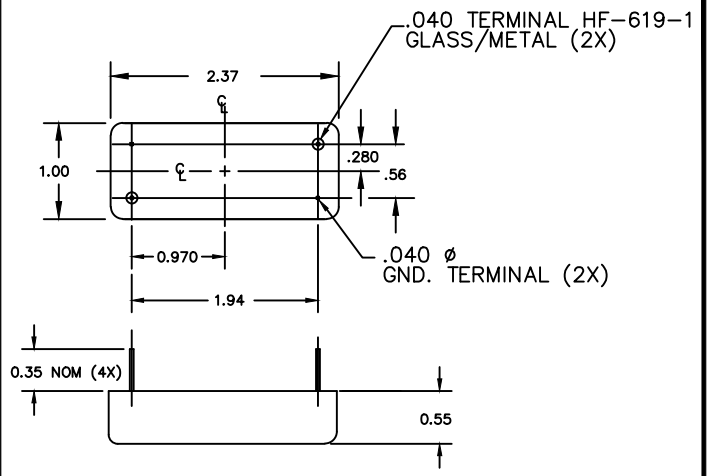


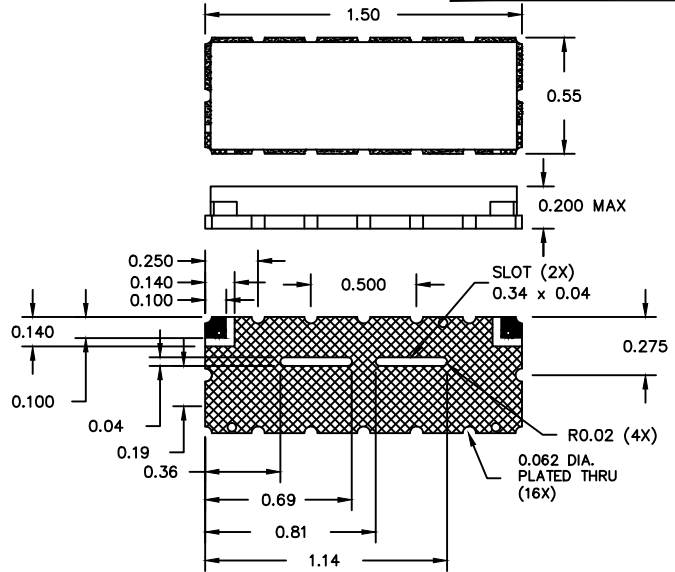
CRYSTAL BAND PASS FILTER

Fo: 100 MHz
 3dB BAND WIDTH: ±10 KHz MIN
 STOP BAND: 30dB MIN @ ±60 KHz
 50dB MIN @ ±500 KHz
 INSERTION LOSS: 4.5 dB MAX
 PASS BAND RIPPLE: 1dB MAX
 SPURIOUS: 30dB MAX, 40dB TYP
 TERMINAL IMPEDANCE: 50 Ohms
 OPERATING TEMPERATURE: -20°C to +85°C
 RoHS COMPLIANT: NO

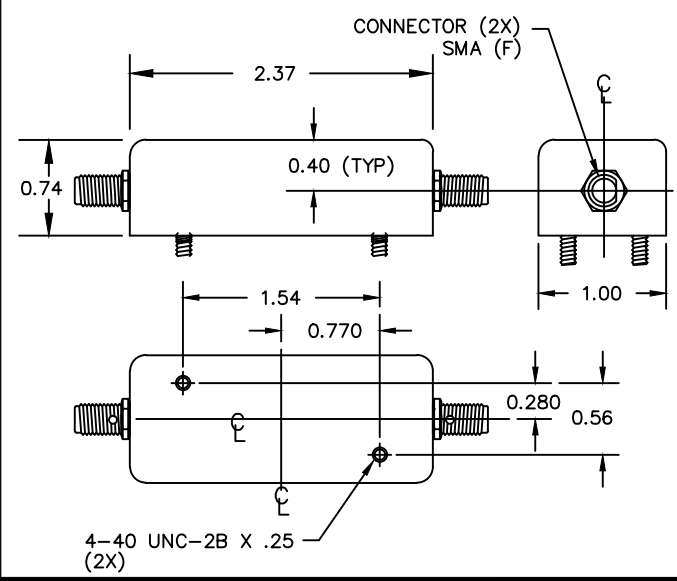
FN-4346WC



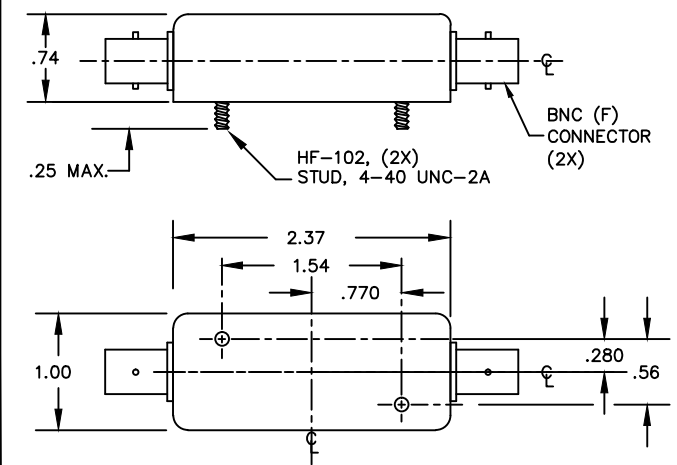
FN-4346W



FN-4346WF



FN-4346WK



FN-4346W DRAWING SUMMARY

FILTRONETICS, INC.
 6010 PARRETTA DR.
 KANSAS CITY, MO 64120
 816-231-7375
 FAX 816-241-0368
 WWW.FILTRO.NET

TOLERANCES UNLESS NOTED

.XX = ± .020	ANGLE = ± 1°
.XXX = ± .010	HOLES = ± .002

REVISED PER ECO 4509 08/06/2013 SHEET 1 OF 1

FILTRONETICS, INC. PROVIDES CUSTOM FILTERS, PLEASE CONTACT FACTORY.
DRAWING SUBJECT TO CHANGE WITHOUT NOTICE.