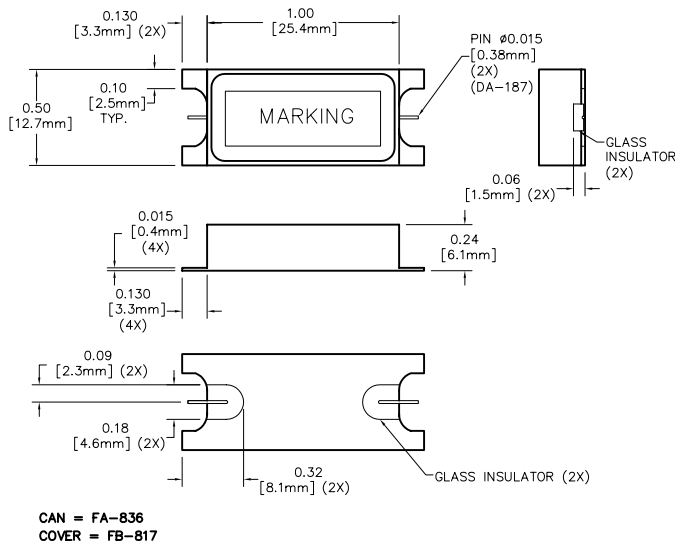
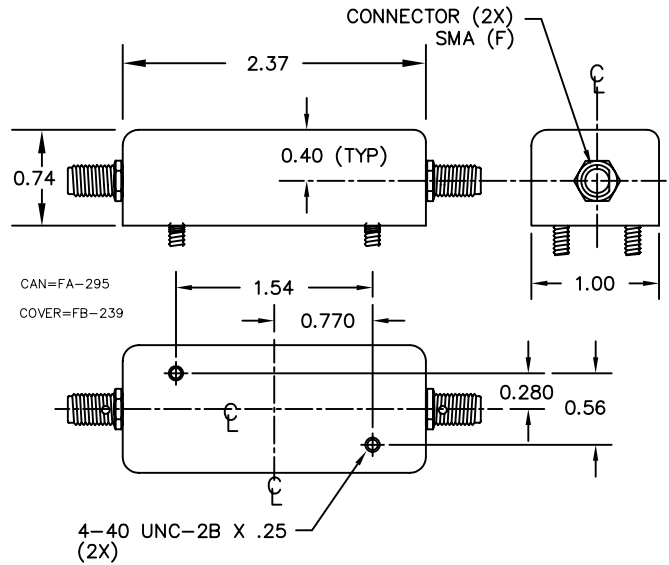


# LC LOWPASS FILTER

3 dB CUTOFF FREQUENCY  $F_c$ : 2.4 GHz  
 INSERTION LOSS @ 2160 MHz: 2 dB MAX  
 PASS BAND RETURN LOSS: 9.5 dB MIN (2:1 VSWR)  
 ATTENUATION @ 3.5 GHz: 45 dBc MIN  
 GROUP DELAY VARIATION: 5 nSec MAX  
 INPUT POWER: 1 Watt MAX  
 IMPEDANCE : 50 ohms IN/OUT  
 OPERATING TEMPERATURE : -55°C to +80°C  
 WORKMANSHIP: J-STD-001  
 NPT (NO PURE TIN): COMPLIANT  
 HI-TEMPERATURE SOLDER: COMPLIANT  
 MAXIMUM REFLOW TEMPERATURE: +220°C ±5°C



## FN-4342W DRAWING SUMMARY

**FILTRONETICS, INC.**  
 6010 PARRETTA DR.  
 KANSAS CITY, MO 64120  
 816-231-7375  
 FAX 816-241-0368  
 WWW.FILTRO.NET

TOLERANCES UNLESS NOTED

.XX = ± .020  
 .XXX = ± .010

ANGLE = ± 1°  
 HOLES = ± .002

REVISED 10/12/2012 PER ECO 4423