

CRYSTAL BAND PASS FILTER

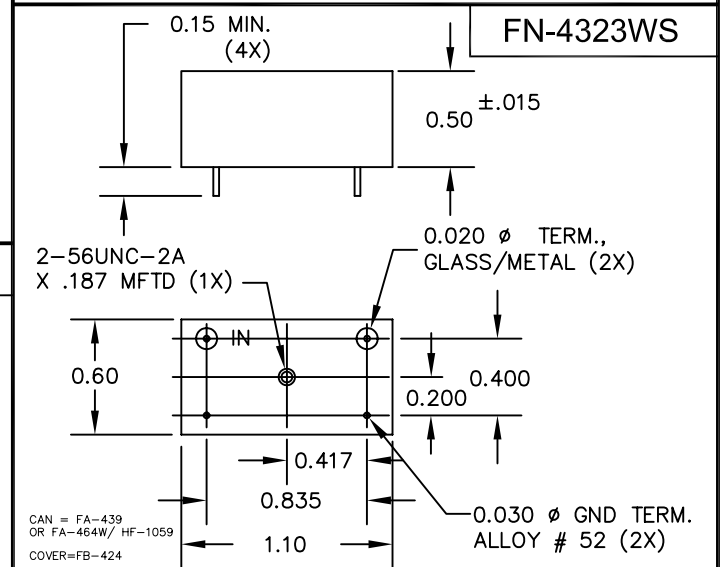
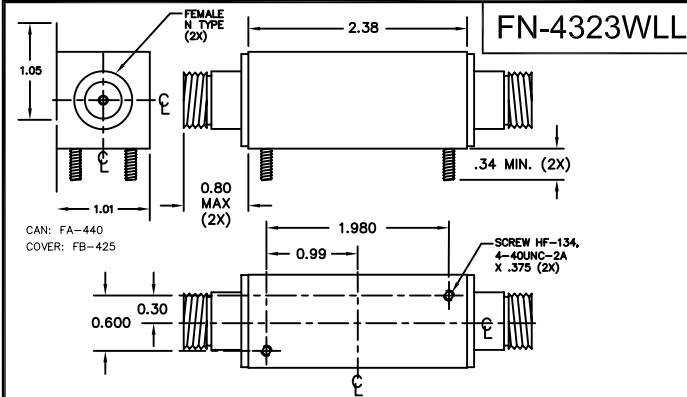
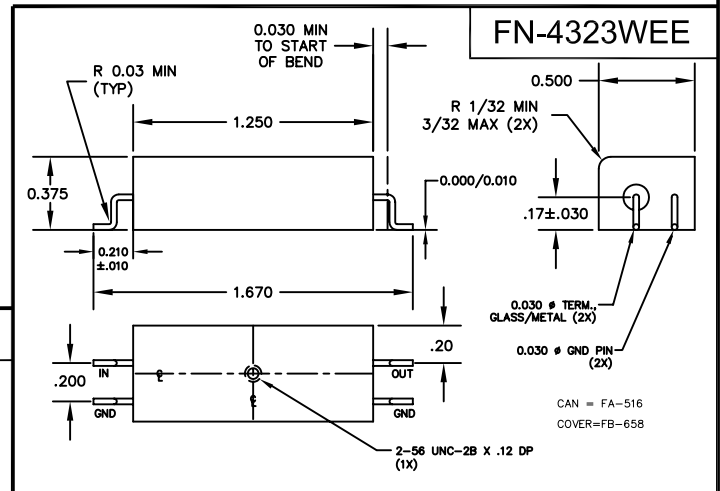
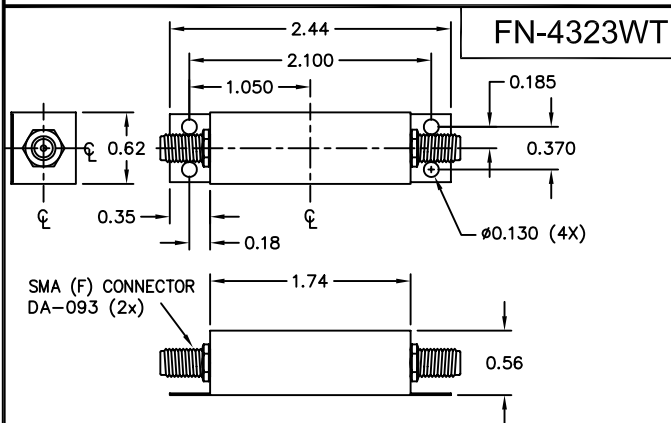
Fo: 31.5 MHz
 IMPEDANCE : 50 OHMS
 INSERTION LOSS: 5 dB MAX
 PASS BAND RETURN LOSS: 8.5 dB Typ In/Out
 RIPPLE: 1 dB MAX
 3 dB BANDWIDTH 150 KHz MIN
 30 dB BANDWIDTH 500 KHz MAX
 ULTIMATE ATTENUATION: 50 dB MIN
 OPERATING TEMPERATURE : -30° TO 60° C
 STORAGE TEMPERATURE : -55° TO 85° C

SPURIOUS: 30 dB TYP

INPUT POWER : +10dBm MAX Operating,
 ±150dBm MAX without damage

WORKMANSHIP: J-STD-001

RoHS COMPLIANT: NO



FN-4323W DRAWING SUMMARY

FILTRONETICS, INC.

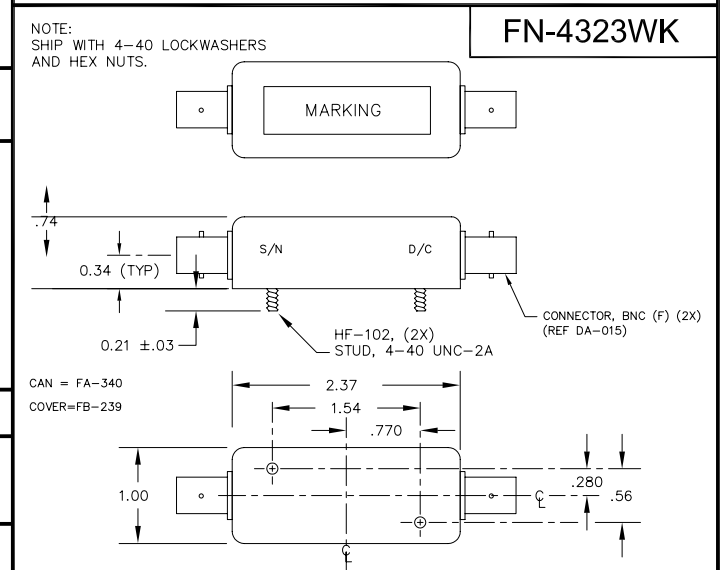
6010 PARRETTA DR.
 KANSAS CITY, MO 64120
 816-231-7375
 FAX 816-241-0368
 WWW.FILTRO.NET

TOLERANCES UNLESS NOTED

.XX = ± .020
 .XXX = ± .010

ANGLE = ± 1°
 HOLES = ± .002

REVISED 06/06/2013



FILTRONETICS, INC. PROVIDES CUSTOM FILTERS, PLEASE CONTACT FACTORY.
 DRAWING SUBJECT TO CHANGE WITHOUT NOTICE.