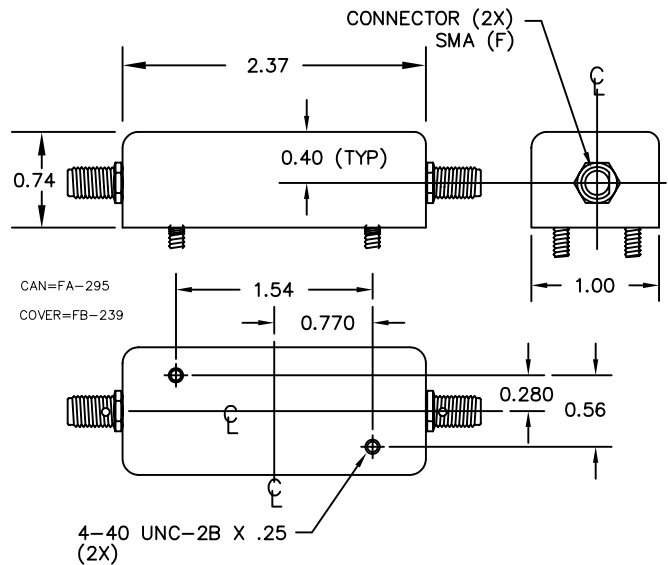


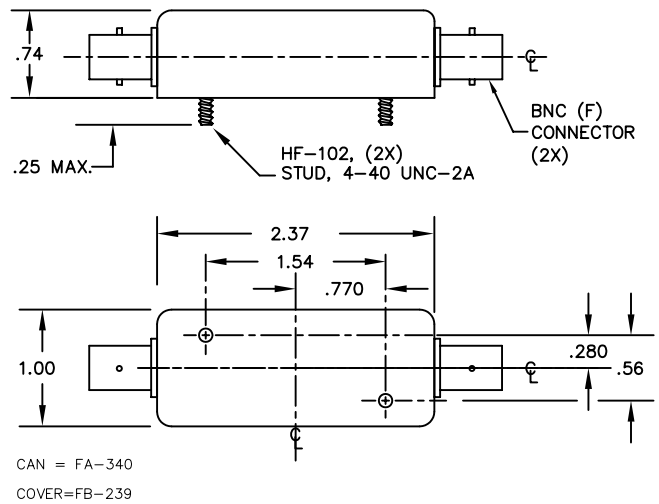
Xtal BANDPASS FILTER

Fo: 73 MHz
IMPEDANCE : 50 ohms IN/OUT
INPUT POWER; 0dBm MAX
INSERTION LOSS: 3 dB MAX
0.125dB BANDWIDTH: ±62.6 KHz MIN
FROM 59.5 - 72.6 MHz: 24dB MIN
FROM 73.57 - 74.63 MHz: 24dB MIN
PASSBAND RETURN LOSS: ±62.6KHz 10.5dB MIN
OPERATING TEMPERATURE : +25°C to +85°C

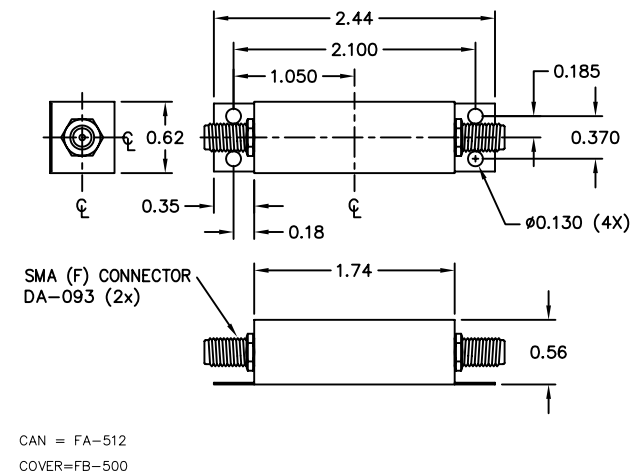
FN-4313WF



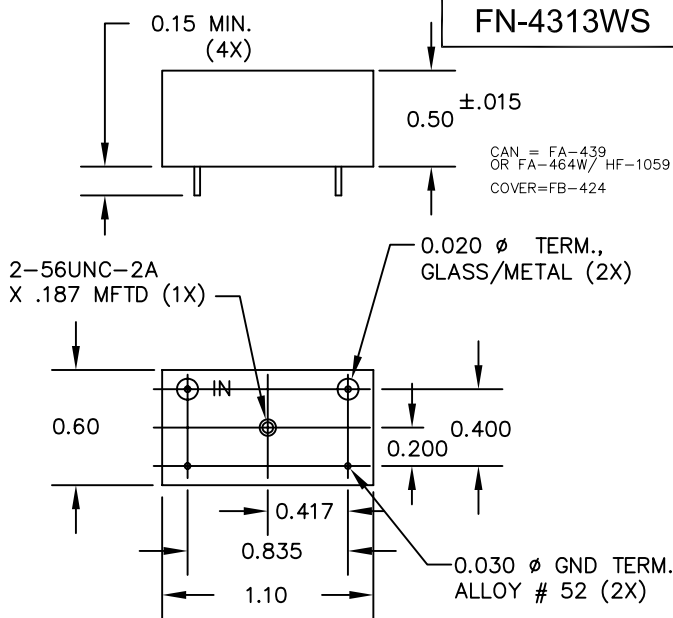
FN-4313WK



FN-4313W



FN-4313WS



FN-4313W DRAWING SUMMARY

FILTRONETICS, INC.
 6010 PARRETTA DR.
 KANSAS CITY, MO 64120
 816-231-7375
 FAX 816-241-0368
 WWW.FILTRO.NET

TOLERANCES UNLESS NOTED

.XX = ± .020
.XXX = ± .010

ANGLE = ± 1°
HOLES = ± .002

REVISED 10/12/2012 PER ECO 4423