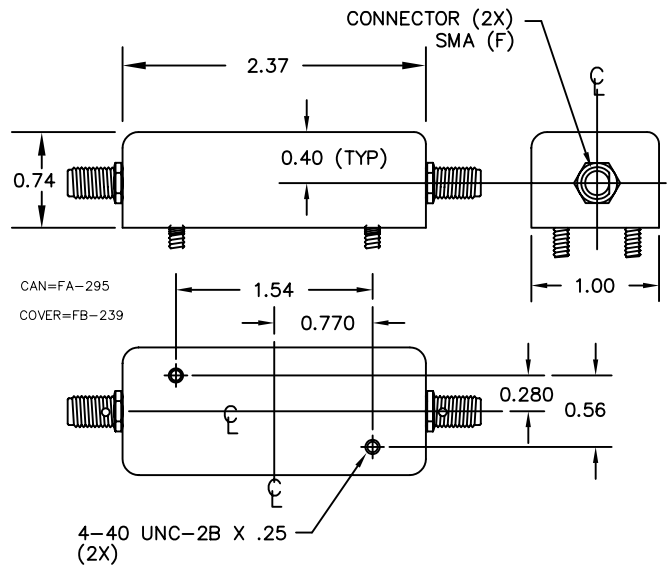


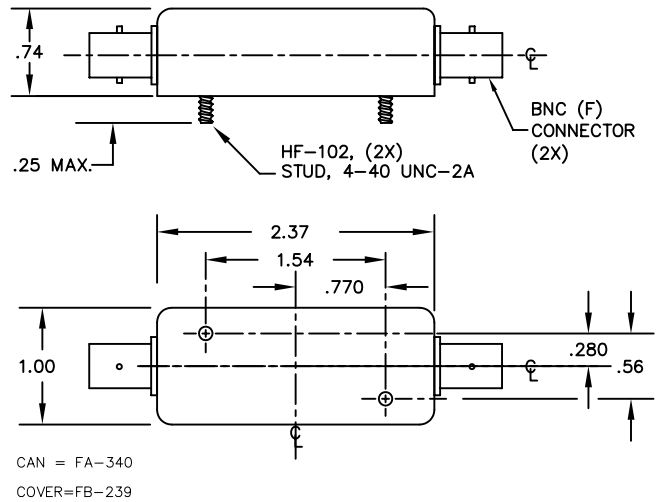
LC BAND PASS FILTER

Fo: 720 MHz
3dB BANDWIDTH: ±200 MHz MIN
INSERTION LOSS: 2 dB MAX
PASS BAND RETURN LOSS: 15 dB MIN 20 dB TYP
PASS BAND RIPPLE: 1 dB MAX
GROUP DELAY VARIATION: 3nSec MAX
REJECTION: 35 dB MIN @ 325 MHz
 45 dB MIN @ 1480 MHz
INPUT POWER: 0 dB MAX
IMPEDANCE : 50 ohms
OPERATING TEMPERATURE: ROOM
WORKMANSHIP: J-STD-001 CLASS 2
RoHS COMPLIANT: NO

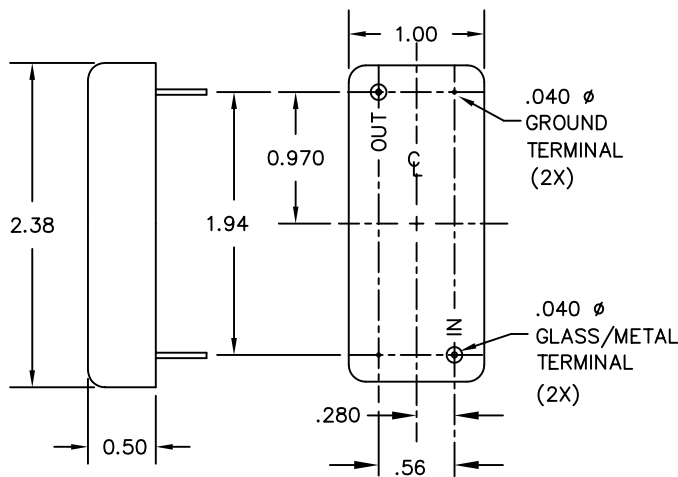
FN-4260WF



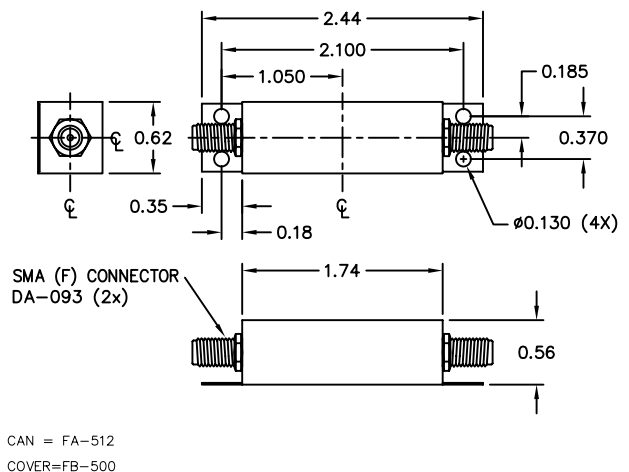
FN-4260WK



FN-4260WB



FN-4260WT



FN-4260W DRAWING SUMMARY

FILTRONETICS, INC.
 6010 PARRETTA DR.
 KANSAS CITY, MO 64120
 816-231-7375
 FAX 816-241-0368
 WWW.FILTRO.NET

TOLERANCES UNLESS NOTED

.XX = ± .020
 .XXX = ± .010

ANGLE = ± 1°
 HOLES = ± .002

ISSUED 07/25/2013