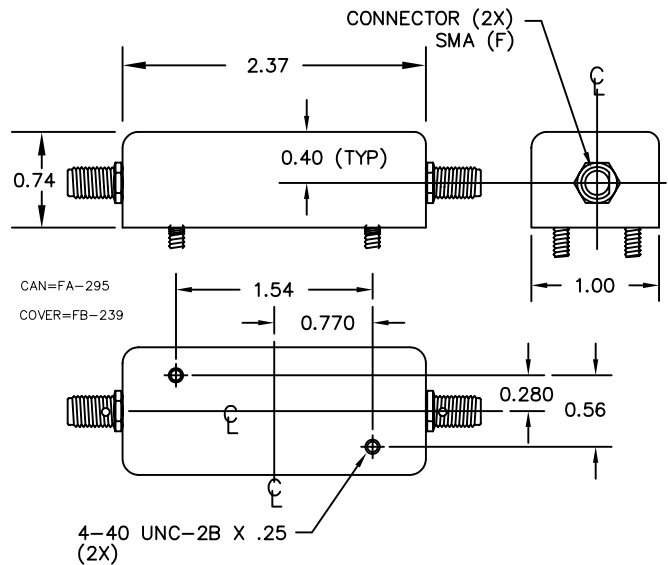


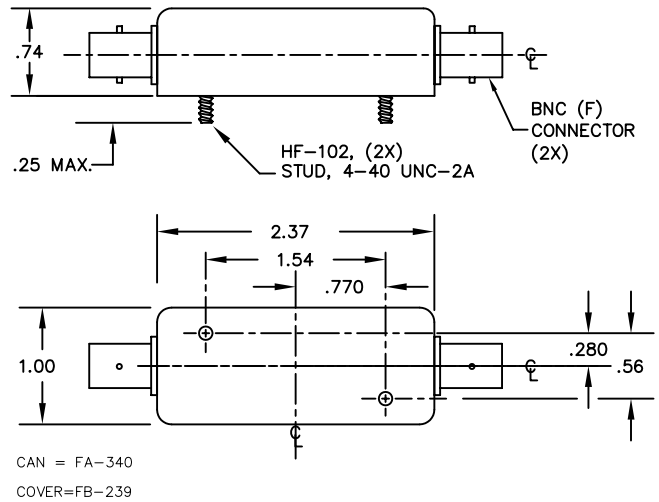
BANDPASS FILTER

Fo: 70 MHz
IMPEDANCE : 50 ohms IN/OUT
INSERTION LOSS: 3 dB MAX
PASS BAND RETURN LOSS:
 11.7 dB MIN (V.S.W.R. 1.7:1)
RIPPLE (Fo ±10 MHz): 1 dB MAX
3dB BANDWIDTH: ±25 MHz MIN
ATTENUATION: 40 dB MIN @ DC TO 20 MHz
 40 dB MIN @ 120 MHz
OPERATING TEMPERATURE : -40°C to +85°C

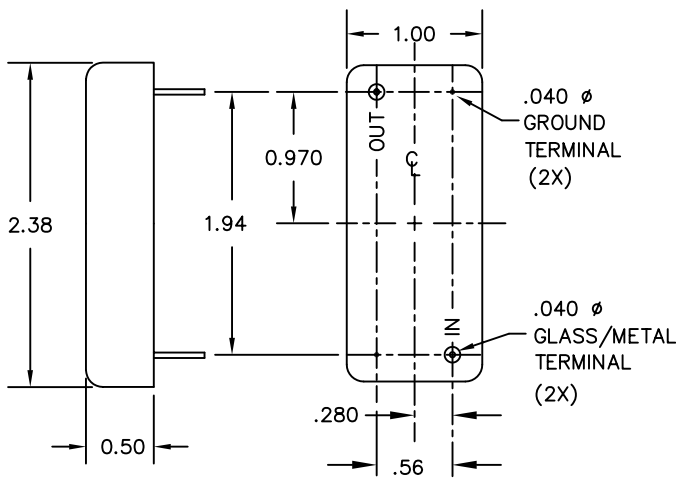
FN-4254WF



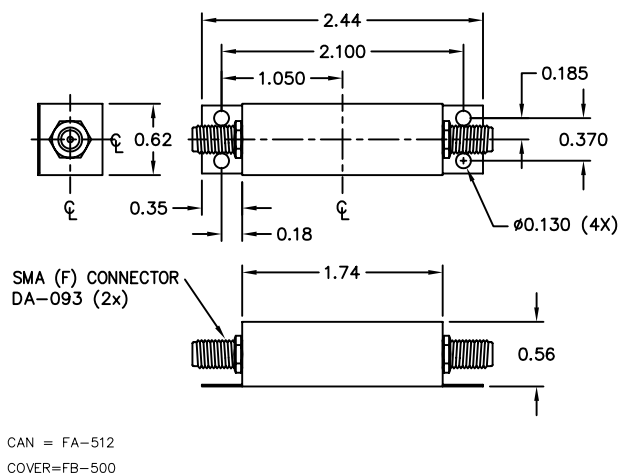
FN-4254WK



FN-4254WB



FN-4254WT



FN-4254W DRAWING SUMMARY

FILTRONETICS, INC.
 6010 PARRETTA DR.
 KANSAS CITY, MO 64120
 816-231-7375
 FAX 816-241-0368
 WWW.FILTRO.NET

TOLERANCES UNLESS NOTED

.XX = ± .020
 .XXX = ± .010

ANGLE = ± 1°
 HOLES = ± .002

REVISED 10/12/2012 PER ECO 4423