

CRYSTALL BAND PASS FILTER

Fo: 159.135 MHz

IMPEDANCE : 50 OHMS

INSERTION LOSS: 5.0 dB MAX

RIPPLE: 1.5 dB MAX, 0.7 dB Typical

3 dBc BANDWIDTH 500 KHz

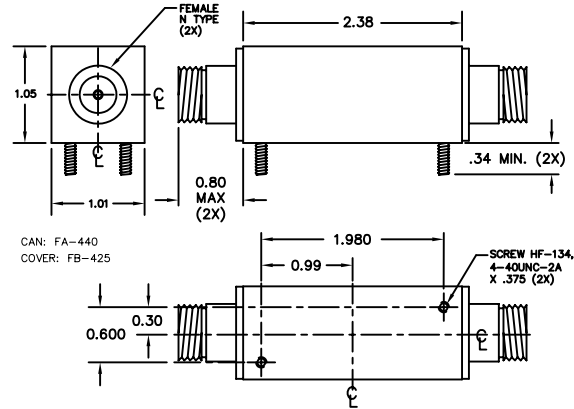
40 dBc BANDWIDTH 1100 KHz MAX

SPURIOUS: 40 dBc MIN

OPERATING TEMPERATURE : -10° TO +50° C

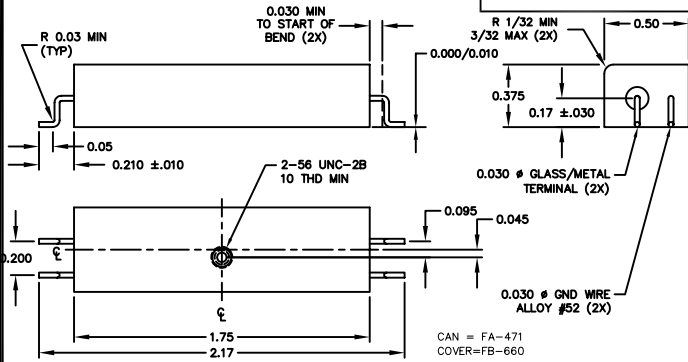
FN-4250WLL

NOTE: FOAM ENCAPSULATED



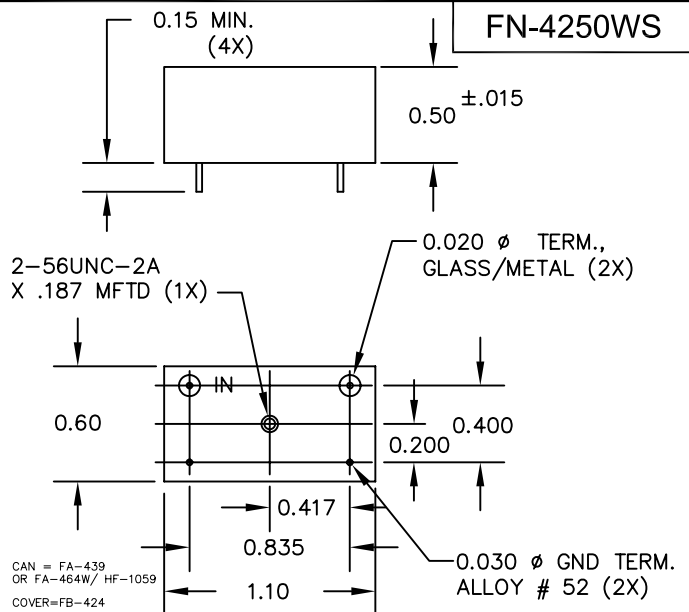
CAN: FA-440
COVER: FB-425

FN-4250WFF



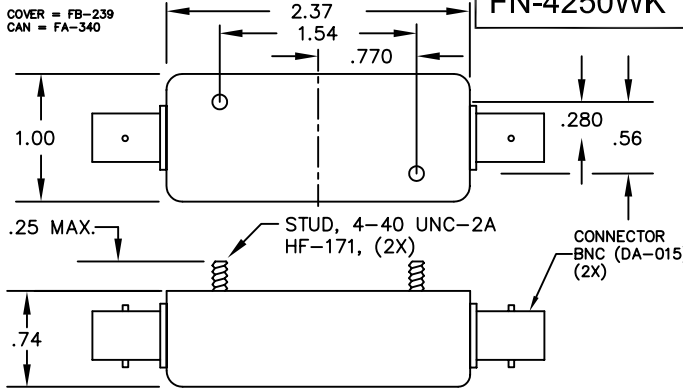
CAN = FA-471
COVER=FB-660

FN-4250WS



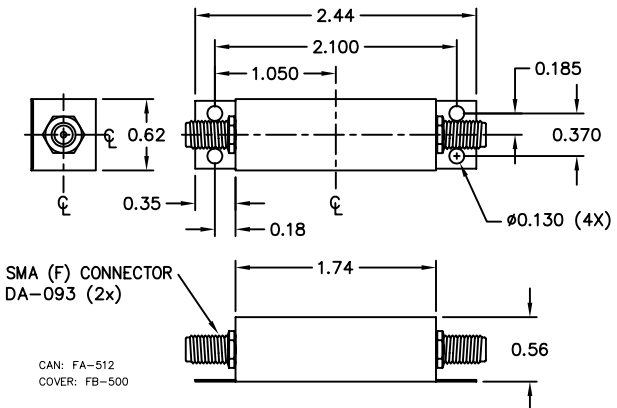
CAN = FA-439
OR FA-464W/ HF-1059
COVER=FB-424

FN-4250WK



COVER = FB-239
CAN = FA-340

FN-4250WT



SMA (F) CONNECTOR
DA-093 (2x)

CAN: FA-512
COVER: FB-500

FN-4250W DRAWING SUMMARY

FILTRONETICS, INC.
6010 PARRETTA DR.
KANSAS CITY, MO 64120
816-231-7375
FAX 816-241-0368
WWW.FILTRO.NET

TOLERANCES UNLESS NOTED

.XX = ± .020
.XXX = ± .010

ANGLE = ± 1°
HOLES = ± .002

REVISED 11/02/2012 PER ECO 4423

PAGE 1 OF 2

CRYSTALL BAND PASS FILTER

Fo: 159.135 MHz

IMPEDANCE : 50 OHMS

INSERTION LOSS: 5.0 dB MAX

RIPPLE: 1.5 dB MAX, 0.7 dB Typical

3 dBc BANDWIDTH 500 KHz

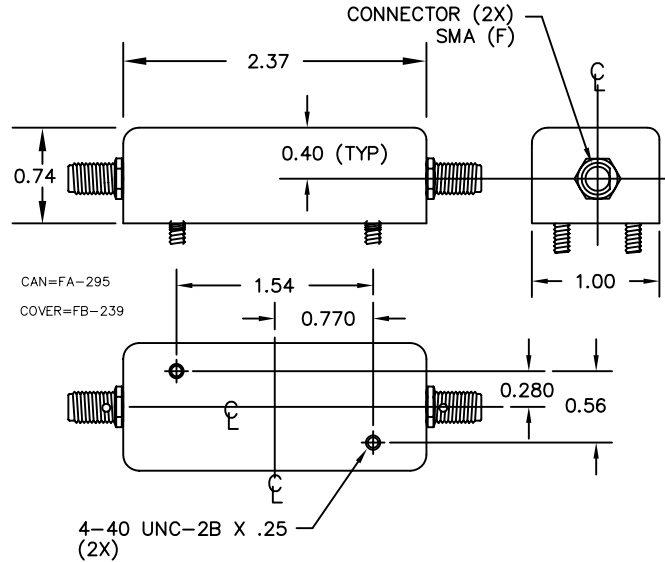
40 dBc BANDWIDTH 1100 KHz MAX

SPURIOUS: 40 dBc MIN

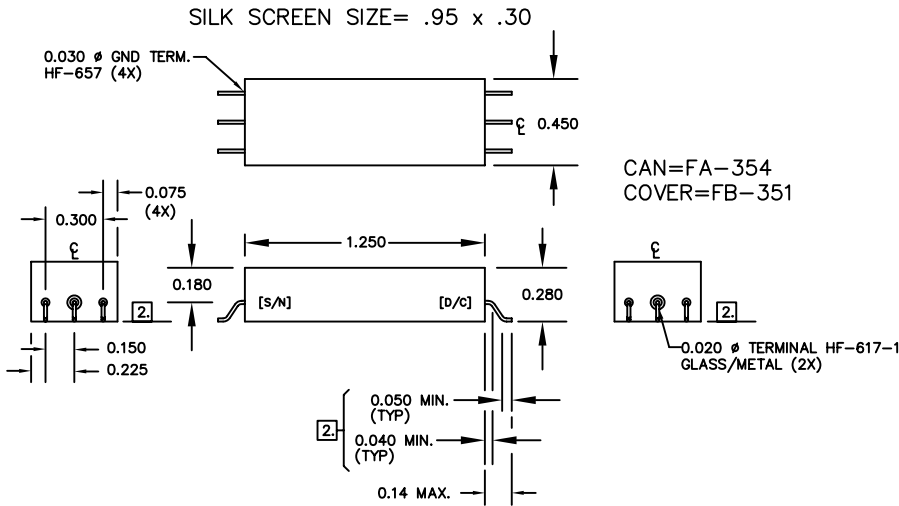
OPERATING TEMPERATURE : -10° TO +50° C

FN-4250WF

NOTE: FOAM ENCAPSULATED

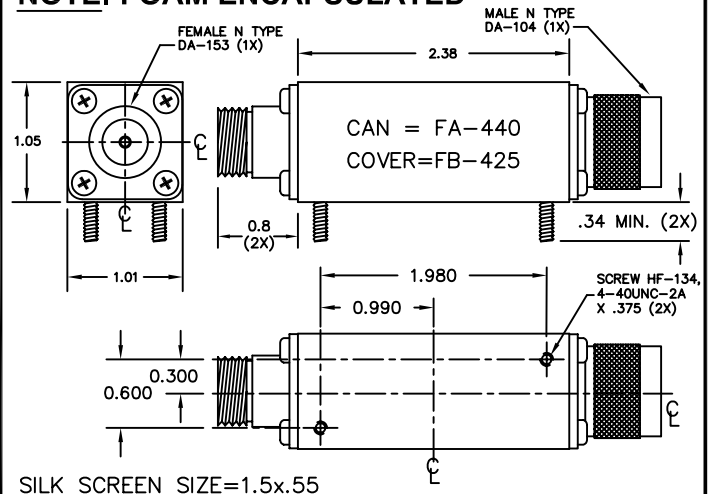


FN-4250WP



FN-4250WRR

NOTE: FOAM ENCAPSULATED



FN-4250W DRAWING SUMMARY

FILTRONETICS, INC.
 6010 PARRETTA DR.
 KANSAS CITY, MO 64120
 816-231-7375
 FAX 816-241-0368
 WWW.FILTRO.NET

TOLERANCES UNLESS NOTED

.XX = ± .020
 .XXX = ± .010

ANGLE = ± 1°
 HOLES = ± .002

REVISED 11/02/2012 PER ECO 4423

PAGE 2 OF 2