

CRYSTALL BAND PASS FILTER

Fo: 159.135 MHz

IMPEDANCE : 50 OHMS

INSERTION LOSS: 5.0 dB MAX

RIPPLE: 1.0 dB MAX

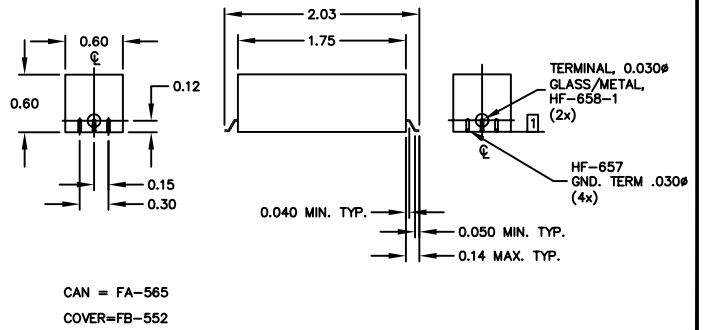
3 dBc BANDWITH 150 KHz

40 dBc BANDWITH 400 KHz MAX

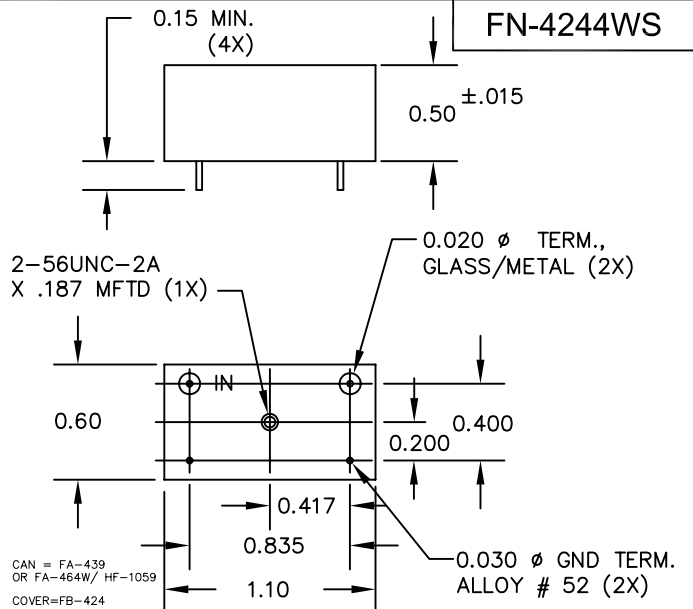
ULTIMATE ATTENUATION: 40 dBc MIN

OPERATING TEMPERATURE : -10° TO 50° C

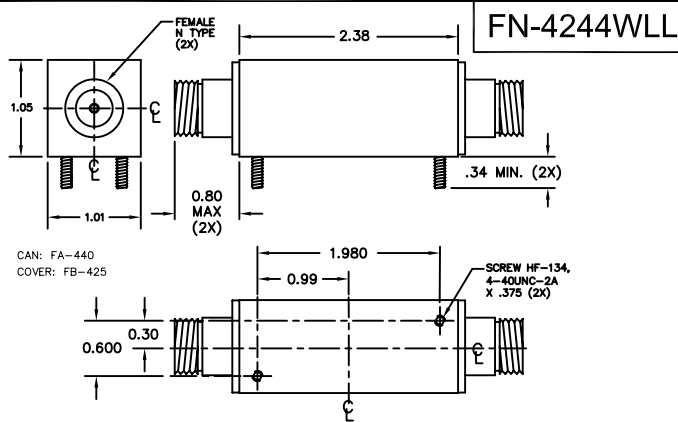
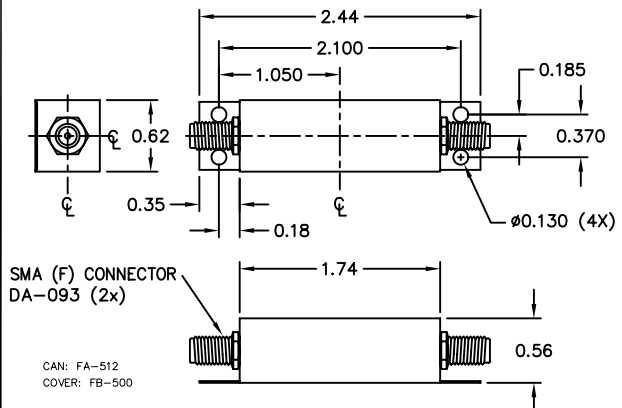
FN-4244WII



FN-4244WS



FN-4244WT



FN-4244W DRAWING SUMMARY

FILTRONETICS, INC.
 6010 PARRETTA DR.
 KANSAS CITY, MO 64120
 816-231-7375
 FAX 816-241-0368
 WWW.FILTRO.NET

TOLERANCES UNLESS NOTED

.XX = ± .020

ANGLE = ± 1°

.XXX = ± .010

HOLES = ± .002

REVISED 10/12/12 PER ECO 4423