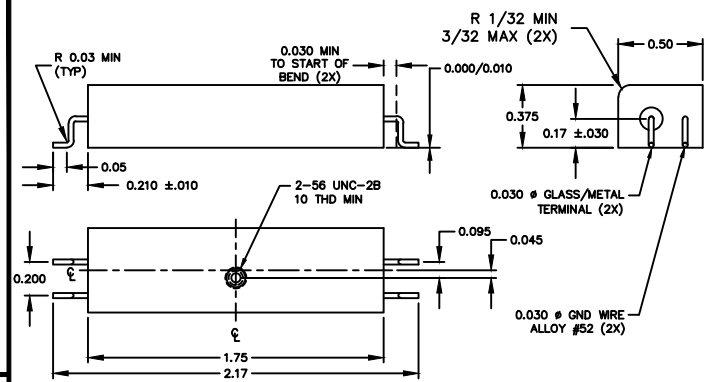


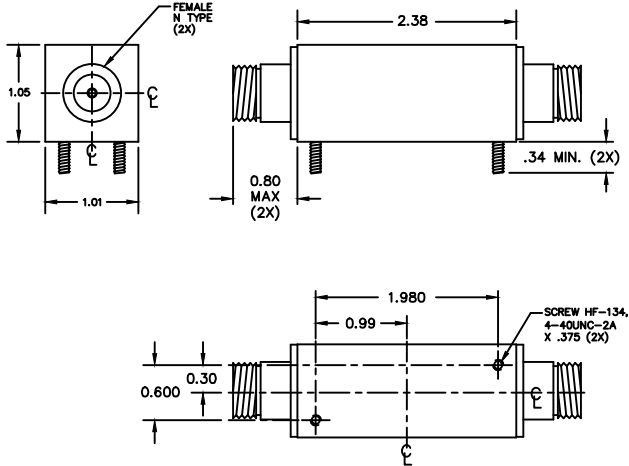
Fo: 151.3925 MHz*
 IMPEDANCE : 50 OHMS
 INSERTION LOSS: 6 dB MAX
 3 dBc BANDWITH 30 KHz MIN
 40 dBc BANDWITH 100 KHz MAX
 ULTIMATE ATTENUATION: 60 dBc MIN
 OPERATING TEMPERATURE : -20° TO 70° C
 *CAN BE PROCESSED AT SIMILAR FREQUENCIES

FN-4221WFF



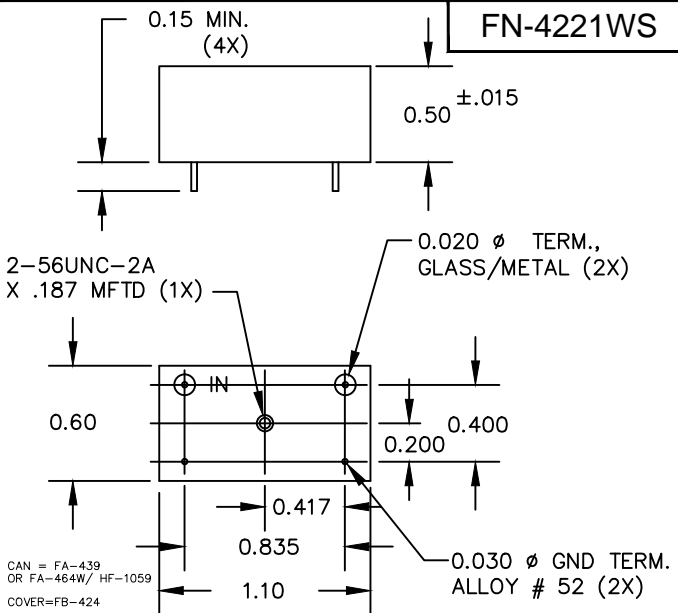
CAN = FA-471
 COVER=FB-660

FN-4221W



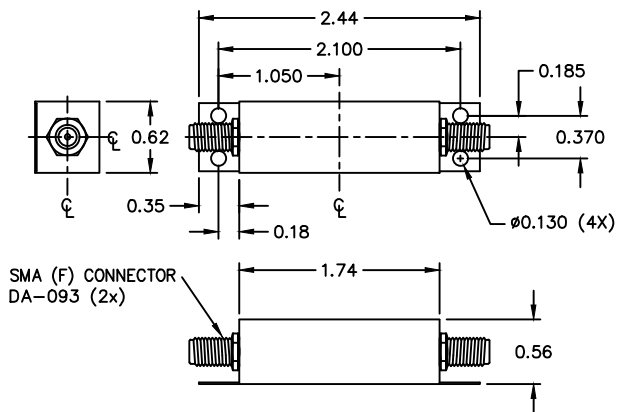
CAN: FA-440
 COVER: FB-425

FN-4221WS



CAN = FA-439
 OR FA-464W/ HF-1059
 COVER=FB-424

FN-4221WT



FN-4221W DRAWING SUMMARY

FILTRONETICS, INC.
 6010 PARRETTA DR.
 KANSAS CITY, MO 64120
 816-231-7375
 FAX 816-241-0368
 WWW.FILTRO.NET

TOLERANCES UNLESS NOTED

.XX = ± .020	ANGLE = ± 1°
.XXX = ± .010	HOLES = ± .002

REVISED 8/14/2017 PER ECO 4622