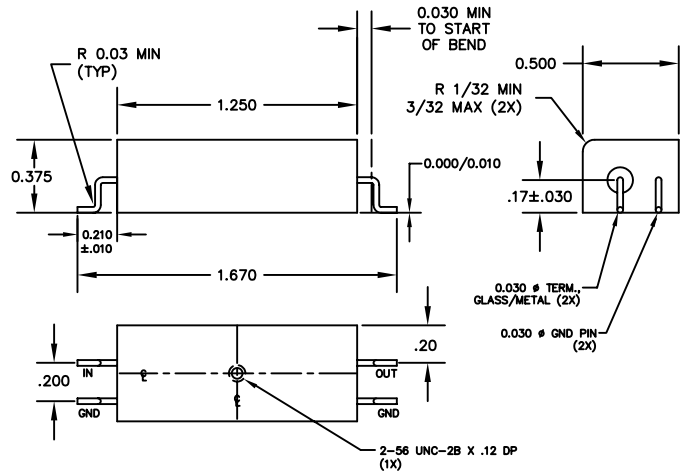


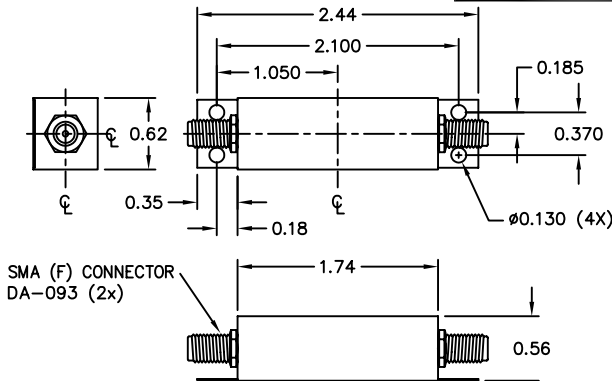
Fo: 164.8375 MHz
 IMPEDANCE : 50 OHMS
 INSERTION LOSS: 5.5 dB MAX
 RIPPLE: 1.0 dB MAX
 3 dBc BANDWIDTH 27 KHz MIN
 40 dBc BANDWIDTH 125 KHz MAX
 ULTIMATE ATTENUATION: 40 dBc MIN
 OPERATING TEMPERATURE : 0° TO 85° C

FN-4220WEE

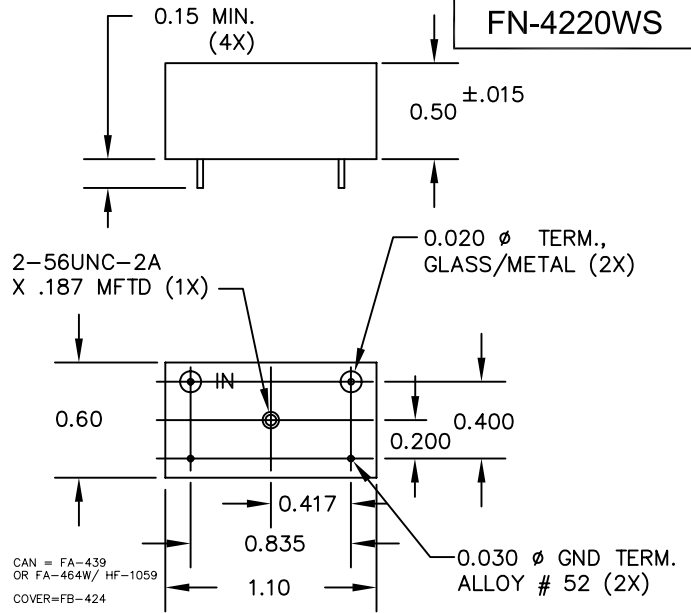


CAN = FA-516
COVER=FB-658

FN-4220WT

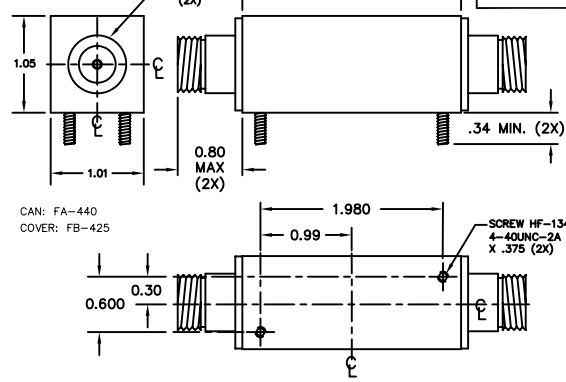


FN-4220WS



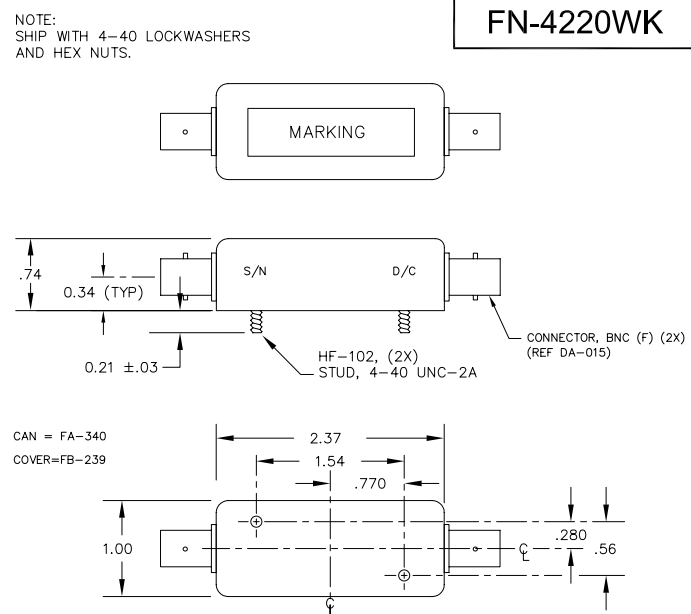
CAN = FA-439
OR FA-464W/ HF-1059
COVER=FB-424

FN-4220WLL



CAN: FA-440
COVER: FB-425

FN-4220WK



CAN = FA-340
COVER=FB-239

FN-4220W DRAWING SUMMARY

FILTRONETICS, INC.
 6010 PARRETTA DR.
 KANSAS CITY, MO 64120
 816-231-7375
 FAX 816-241-0368
 WWW.FILTRO.NET

TOLERANCES UNLESS NOTED

.XX = ± .020	ANGLE = ± 1°
.XXX = ± .010	HOLES = ± .002

REVISED 02/07/13 PER ECO 4359