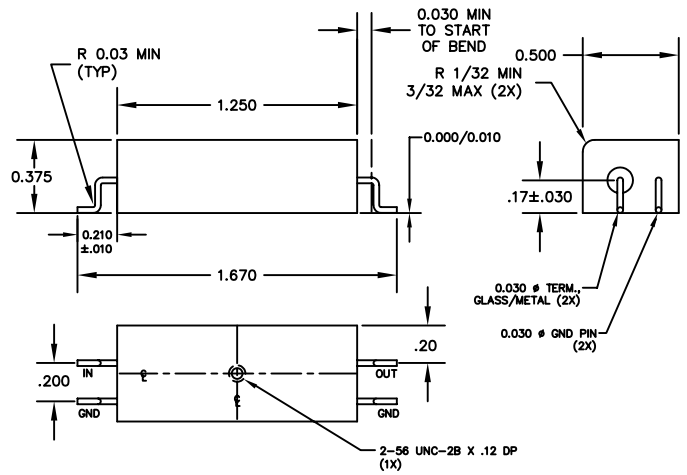


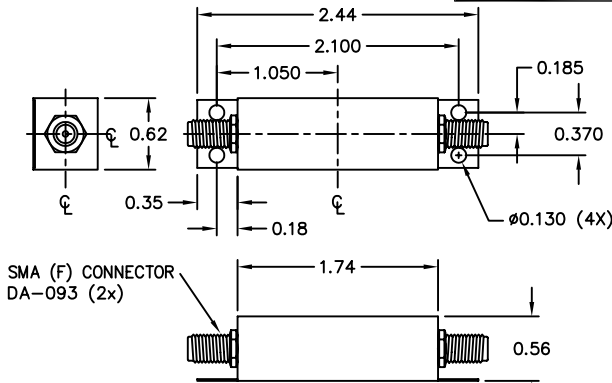
Fo: 173.8250 MHz
 IMPEDANCE : 50 OHMS
 INSERTION LOSS: 5.5 dB MAX
 RIPPLE: 1.0 dB MAX
 3 dBc BANDWIDTH 27 KHz MIN
 40 dBc BANDWIDTH 125 KHz MAX
 ULTIMATE ATTENUATION: 40 dBc MIN
 OPERATING TEMPERATURE : 0° TO 85° C

FN-4219WEE

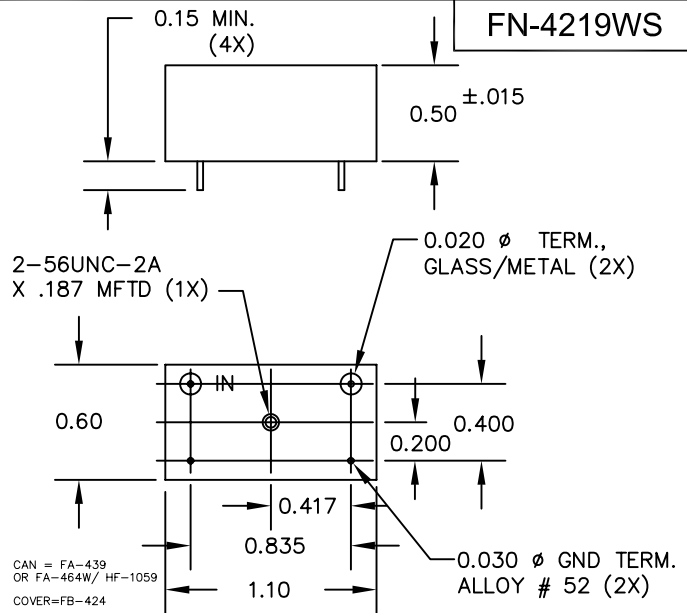


CAN = FA-516
COVER=FB-658

FN-4219WT

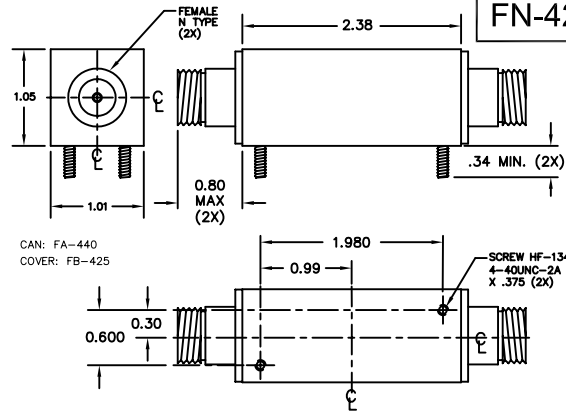


FN-4219WS



CAN = FA-439
OR FA-464W/ HF-1059
COVER=FB-424

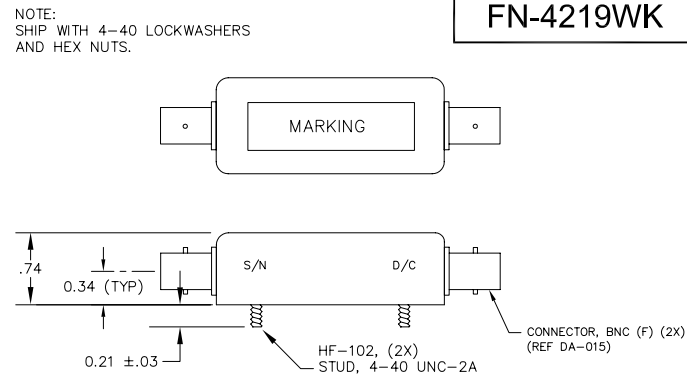
FN-4219WLL



CAN: FA-440
COVER: FB-425

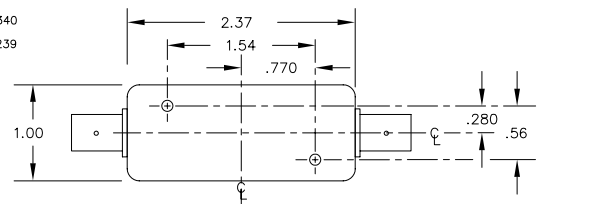
SCREW HF-134,
4-40UNC-2A
X .375 (2X)

FN-4219WK



NOTE:
SHIP WITH 4-40 LOCKWASHERS
AND HEX NUTS.

CAN = FA-340
COVER=FB-239



FN-4219W DRAWING SUMMARY

FILTRONETICS, INC.
 6010 PARRETTA DR.
 KANSAS CITY, MO 64120
 816-231-7375
 FAX 816-241-0368
 WWW.FILTRO.NET

TOLERANCES UNLESS NOTED

.XX = ± .020
.XXX = ± .010

ANGLE = ± 1°
HOLES = ± .002

REVISED 10/12/2012 PER ECO 4423