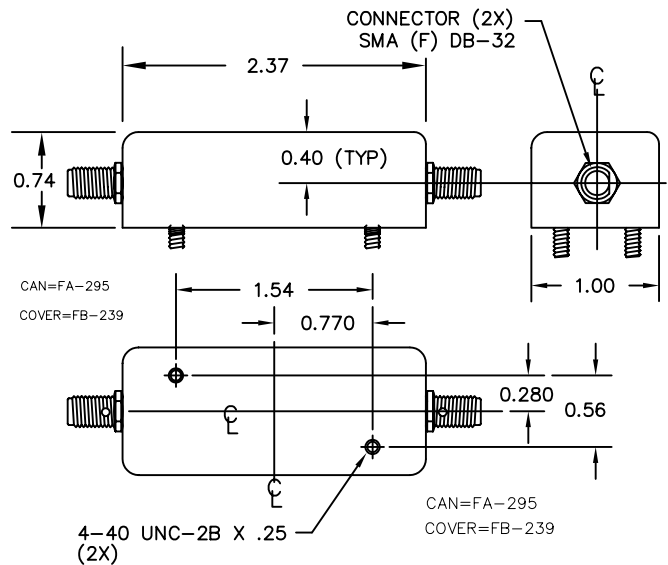


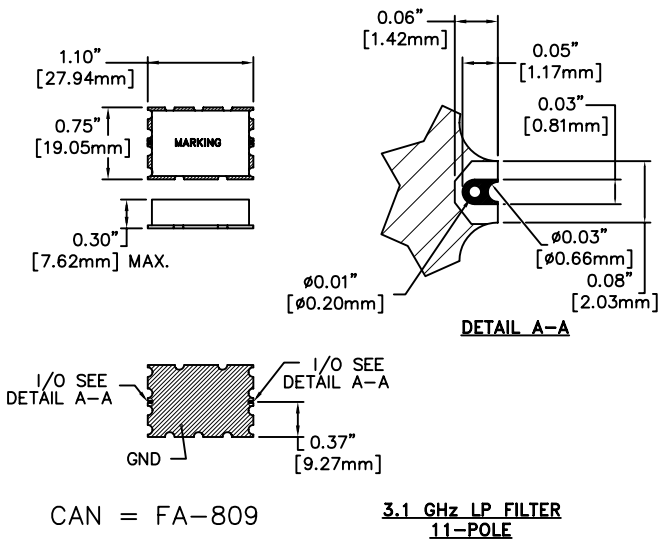
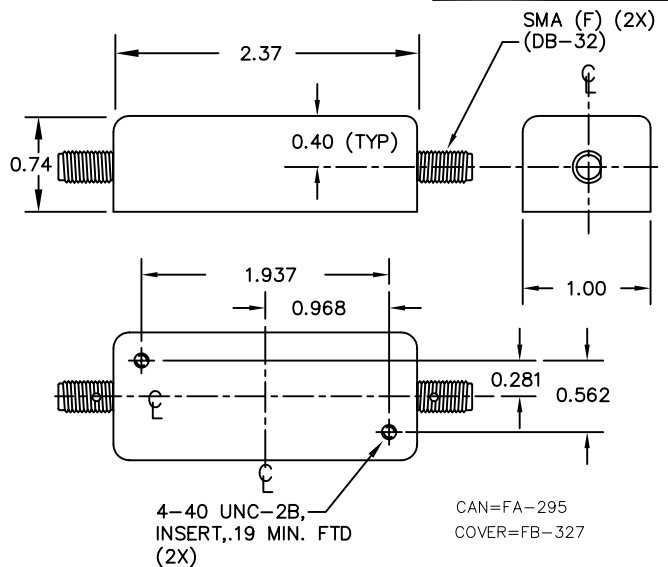
LOW PASS FILTER

PASSBAND CUTOFF (Fo): 3100 MHz 3 dB MAX
 IMPEDANCE : 50 ohms
 INSERTION LOSS: 1.5 dB MAX
 RIPPLE: 0.7 dB MAX
 STOPBAND CUTOFF: 4040 MHz 60 dB MIN
 ULTIMATE ATTENUATION: 4060 TO 7100 MHz
 55 dB MIN
 OPERATING TEMPERATURE : -40°C to +85°C

FN-4184WF



FN-4184WJ



FN-4184W DRAWING SUMMARY

FILTRONETICS, INC.
 6010 PARRETTA DR.
 KANSAS CITY, MO 64120
 816-231-7375
 FAX 816-241-0368
 WWW.FILTRO.NET

TOLERANCES UNLESS NOTED

.XX = ± .020
 .XXX = ± .010

ANGLE = ± 1°
 HOLES = ± .002

CHANGED PER ECO 4489 07/08/2013