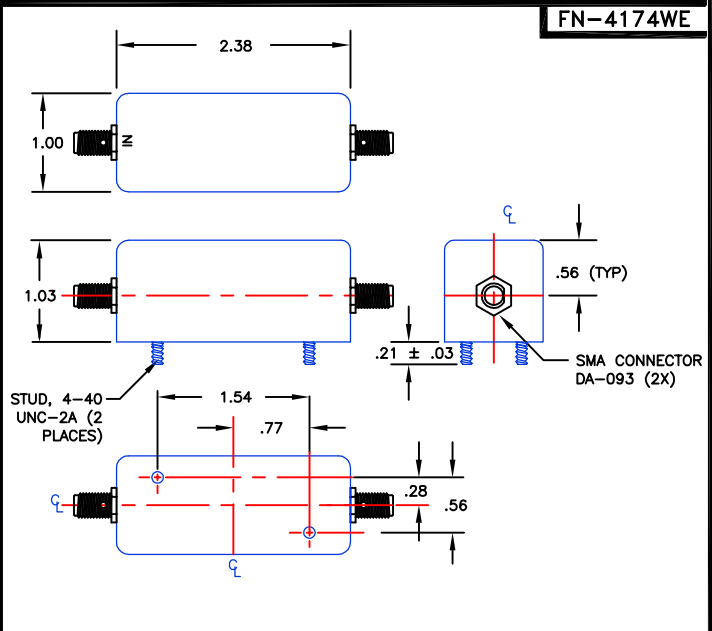
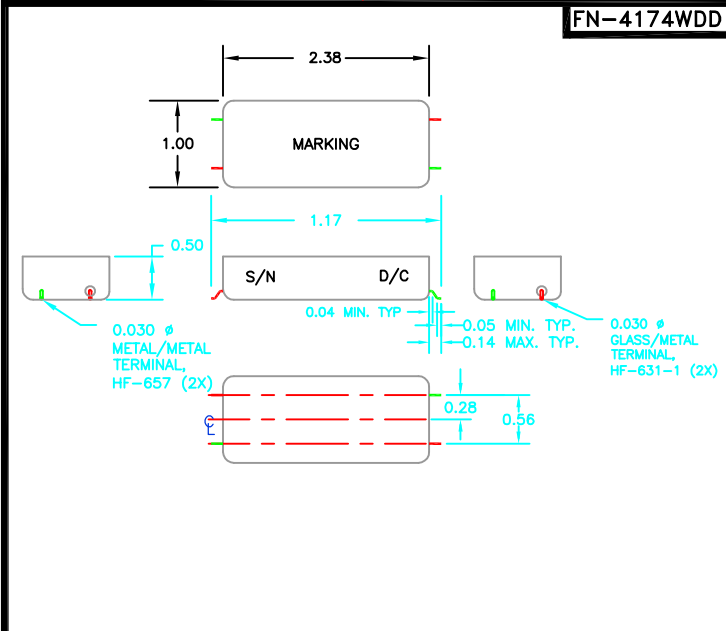
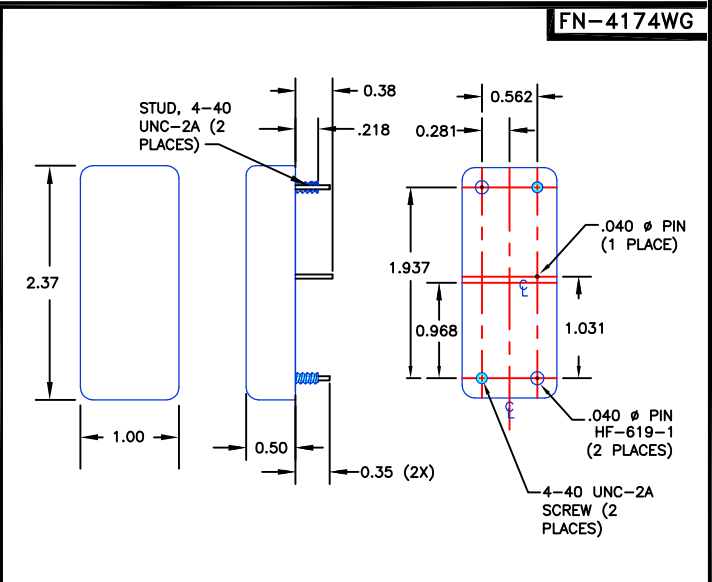
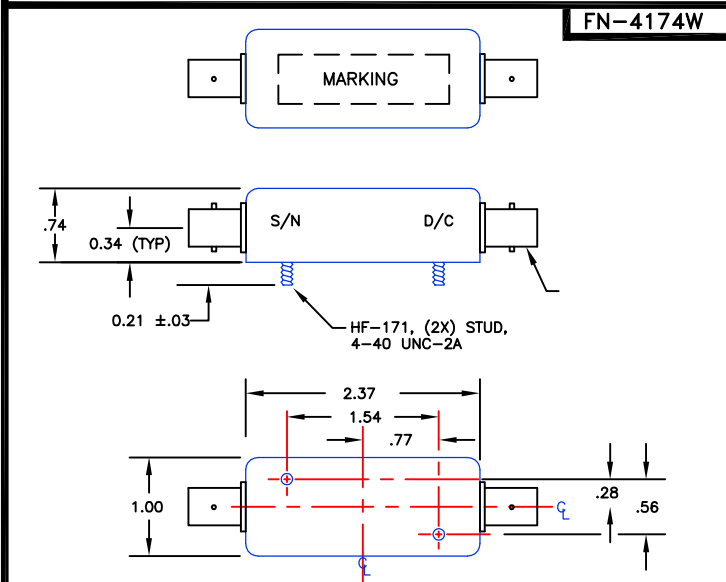


Filter Type
 Cut off Frequency
 1dB Band Width:
 Insertion Loss:
 Pass Band Return Loss:
 Pass Band Ripple:
 Phase Match
 Amp Match
 (MHz)
 Stop Band Attn
 Group Delay Variation
 Input Power
 Impedance:
 Operating Temperature:
 Workmanship

Low Pass Phase Matched Set
 (Fc) 36 MHz
 1 KHz to 36 MHz
 0.5 dB Max
 15dB Min
 0.5dB Max
 $\pm 1^{\circ}$ Max (1KHz to 36 MHz)
 (1dB BW) ± 1 dB Max (1KHz to 36
 30dBC 40 to 200 MHz
 200 nSec Max
 10dBm Max
 50 Ohms
 TBD
 IPC-610 Class 2



FN-4174W

FILTRONETICS, INC.

6010 PARRETTA DR. KANSAS CITY, MO
 64120 816-231-7375 FAX 816-241-0368
 WWW.FILTRO.NET