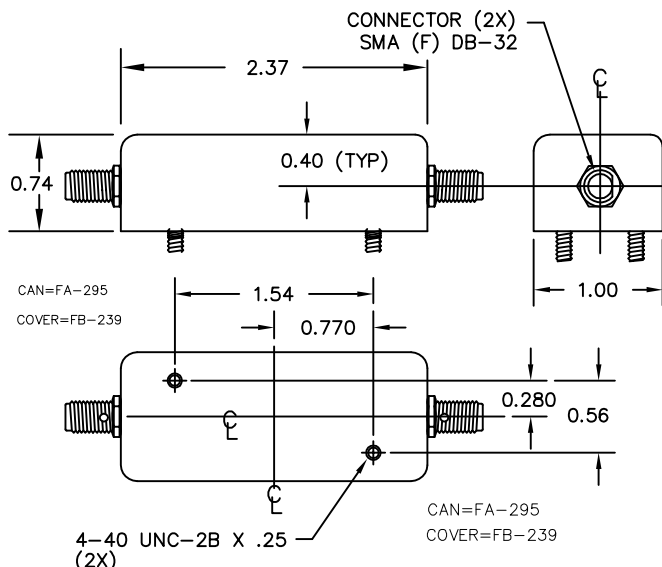


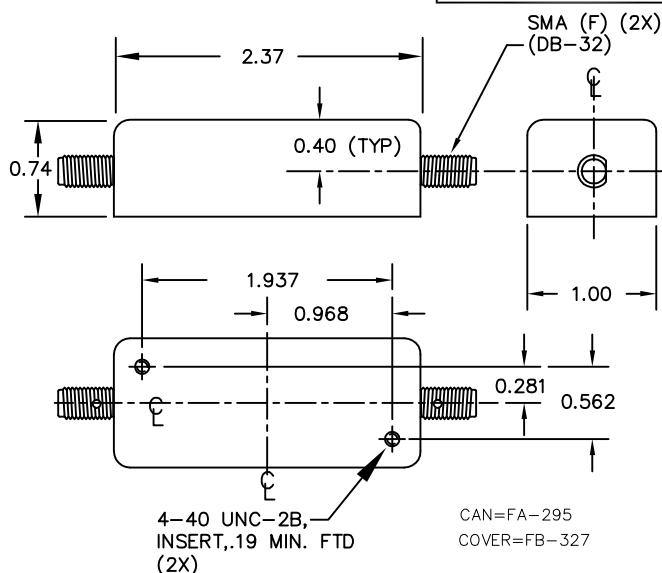
LOW PASS FILTER

PASSBAND CUTOFF (Fo): 7.1 GHz 3 dB MAX
 IMPEDANCE : 50 ohms
 INSERTION LOSS: 1.2 dB MAX
 RIPPLE: 1.0 dB MAX
 STOPBAND ATTENUATION: 10 dBc MIN @ 7.95 GHz
 20 dBc MIN @ 10.65 GHz
 INPUT POWER: 15 dBm MAX
 OPERATING TEMPERATURE : -40°C to +85°C
 WORKMANSHIP: J-STD-001

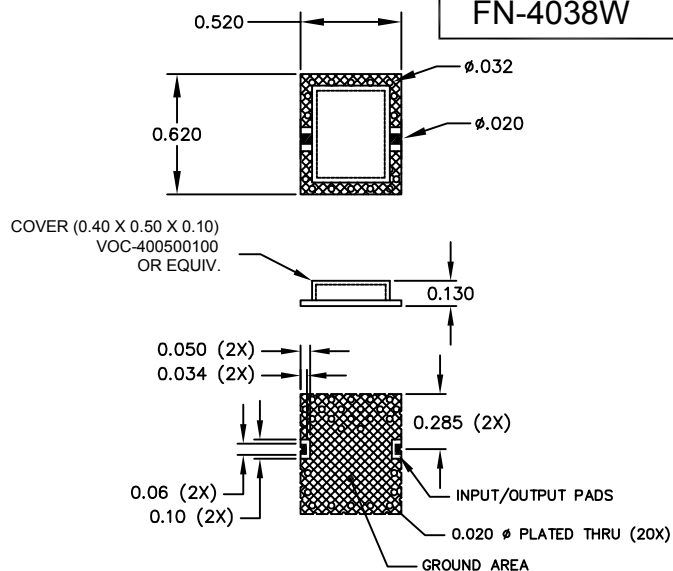
FN-4038WF



FN-4038WJ



FN-4038W



FN-4038W DRAWING SUMMARY

FILTRONETICS, INC.

6010 PARRETTA DR.
 KANSAS CITY, MO 64120
 816-231-7375
 FAX 816-241-0368
 WWW.FILTRO.NET

TOLERANCES UNLESS NOTED

.XX = ± .020
 .XXX = ± .010

ANGLE = ± 1°
 HOLES = ± .002

REVISED 04/02/2015

FILTRONETICS, INC. PROVIDES CUSTOM FILTERS, PLEASE CONTACT FACTORY.