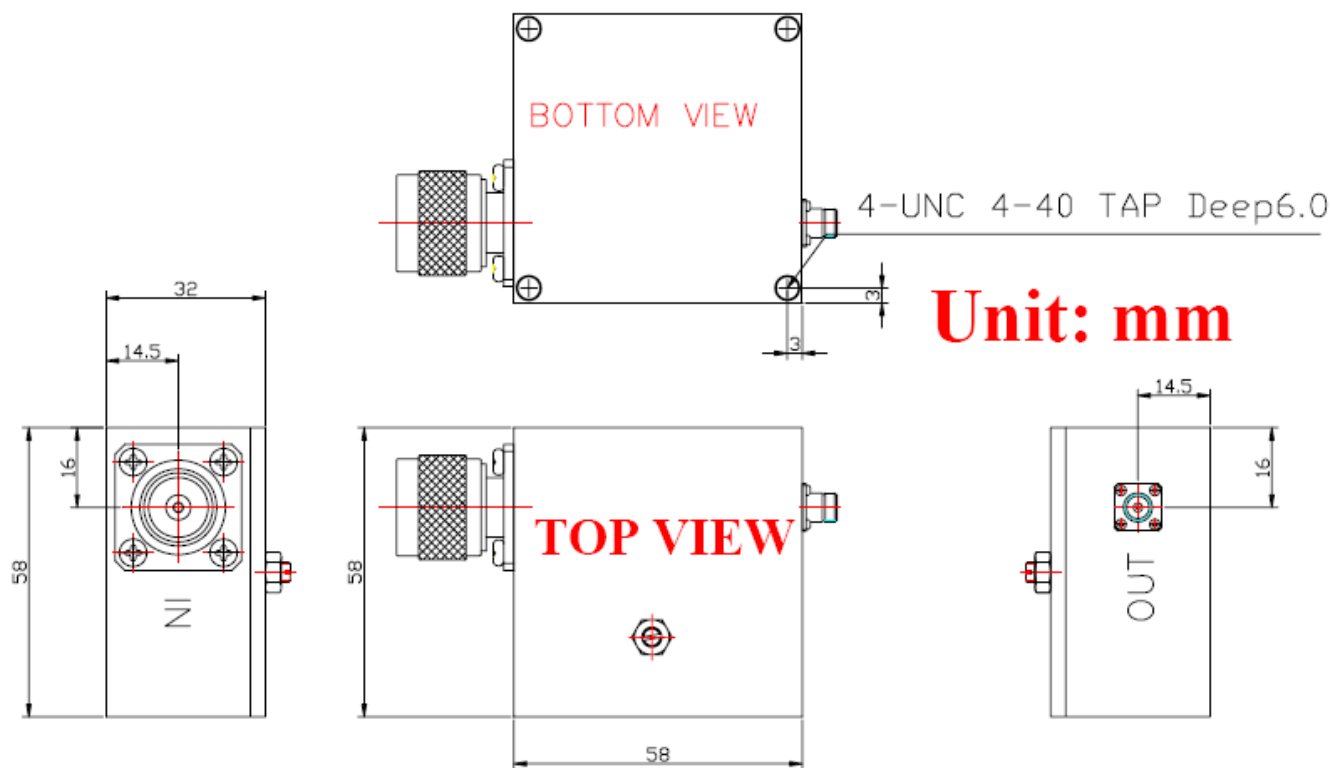


1. Part Number: FN-3993

2. Electrical Specifications:

Parameter	Unit	Specification
Center Frequency	MHz	2,250
Pass bandwidth	MHz	2,200 ~ 2,300 min.
Insertion Loss in BW	dB	1.5 max.
Pass band Ripple	dB	0.5 max.
Return Loss in BW	dB	20.0 min.
Attenuation	dBc	60 min. @ 1,900 & 2,600 MHz
Power Handling	W	20 max.
Impedance	Ohms	50
Connector	-	Input : N(male) Output : SMA (Female)
Operating Temp Range	°C	-10 ~ +60

3. Mechanical Package



Marking TBD

Finish: Black paint over Silver plate