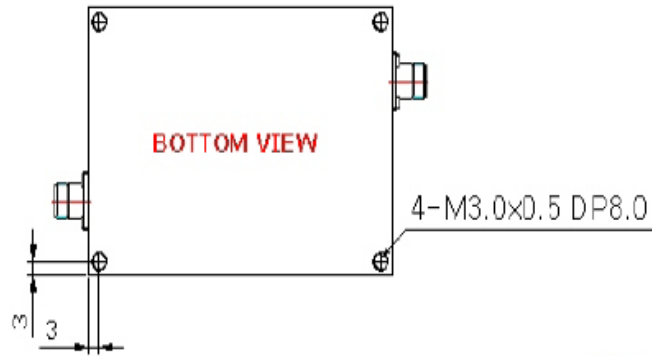


1. Part Number: FN-3942

2. Electrical Specifications:

Parameter	Unit	Specification
Center Frequency	MHz	860
Band-widths	MHz	18 (851 – 869 )
I.L at BW	dB	2.5 max.
Ripple at BW	dB	0.6 max.
Return Loss at BW	dB	20 min.
Attenuation	dB	30 min. @ Fc ± 15MHz 40 min. @ Fc ± 25MHz
Power	W	20 max.
In/Out Impedance	Ohm	50
Operating Temp. Range	°C	-20 ~ +55
Connector	-	SMA Female – All ports

3. Mechanical Package



**Unit: mm**

