

SPECIFICATION
 FILTER SPECIFICATION
 COMMERCIALY AVAILABLE

PART NUMBER: FN-3938W

ISSUED / REVISION	ENGINEER APPROVED	DOCUMENT CHECKED	DRAFTSMAN
8/30/07**	10/26/2010 SRJ	10/26/2010 BF	
10/27/10 DS	10/27/2010 SRJ	10/27/2010 BF	10/27/2010 GL
3/11/11 kn	3/11/2011 SRJ	3/15/2011 BF	3/16/2010 GL

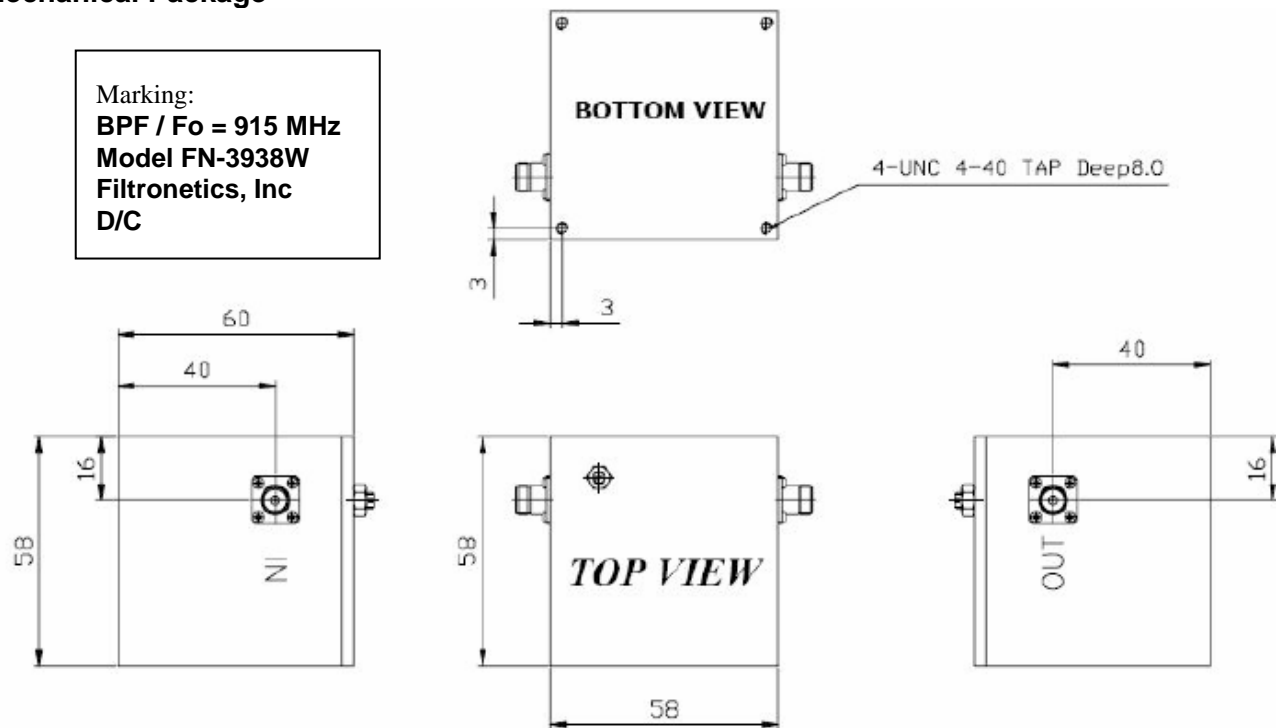
FILTRONETICS Inc

1. Part Number: FN-3938W

2. Electrical Specifications:

Parameter	Unit	Specification
Center Frequency	MHz	915
Pass Band	MHz	902 ~ 928
Band-width	MHz	26
Ripple in BW	dB	0.3 Max
Insertion loss in BW	dB	2.0 Max
Return Loss in BW	dB	20 Min
Rejection	dB	52 Min @ 815 MHz, 1015 MHz
Impedance	ohms	50
Input Power	W	25
Connector	-	SMA (Female) –All ports
Operating Temperature	°C	-40 ~ +85

3. Mechanical Package



Finish: Black paint

4. Plots

Simulation:

