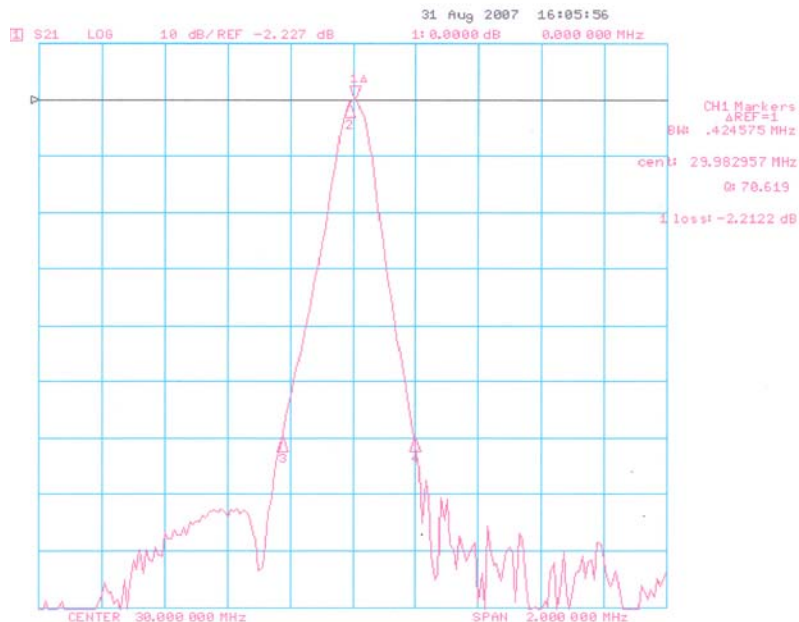
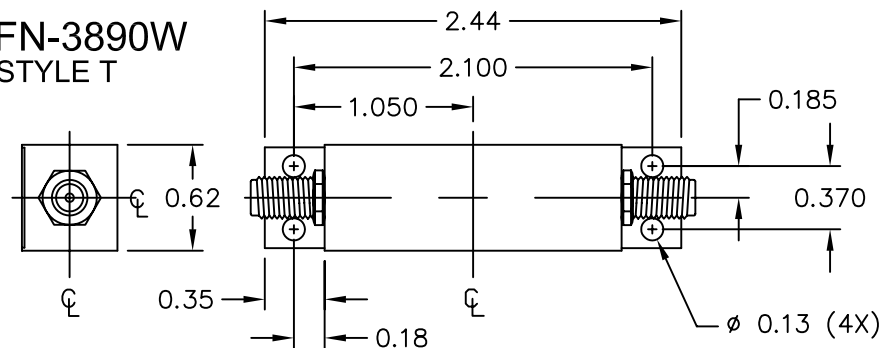


BANDPASS FILTER

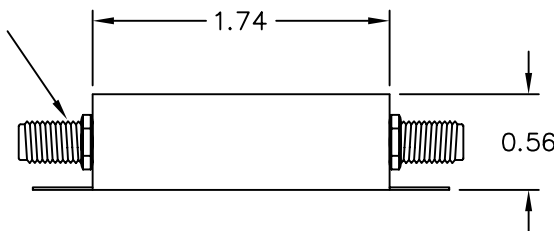
Fo: 30.0 MHz
IMPEDANCE : 50 OHMS (IN & OUT)
INSERTION LOSS: 3.0 dB MAX
RESPONSE: GAUSSIAN
3dB BANDWIDTH: 50 KHz MIN
60dB BANDWIDTH: 250 KHz MAX
SPURIOUS ATTENUATION: 50 dB MIN
GROUP DELAY VARIATION: 1uSEC MAX
 ±25 KHz BW (0.25 uSEC @ AMBIENT TYPICAL)
OPERATING TEMPERATURE : -40°C to +70°C



FN-3890W STYLE T



SMA (F) CONNECTOR (2x)



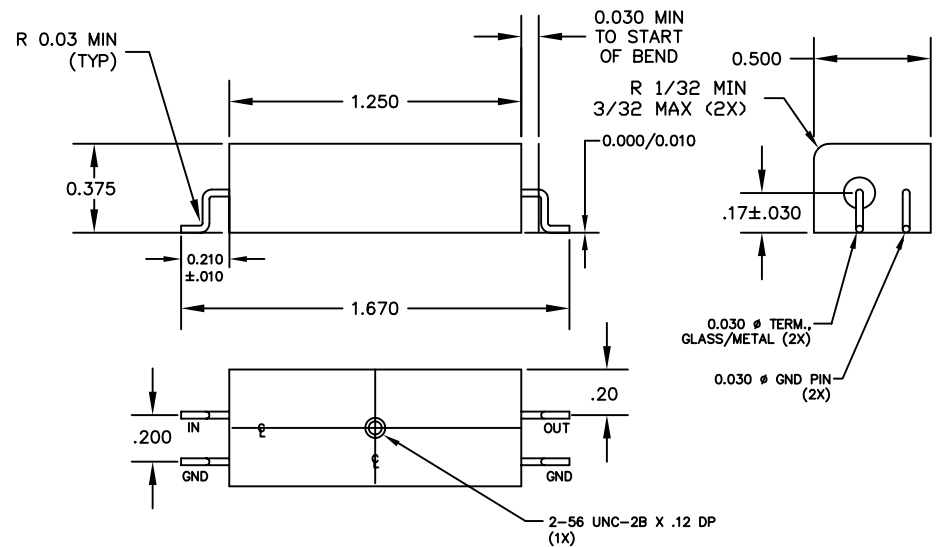
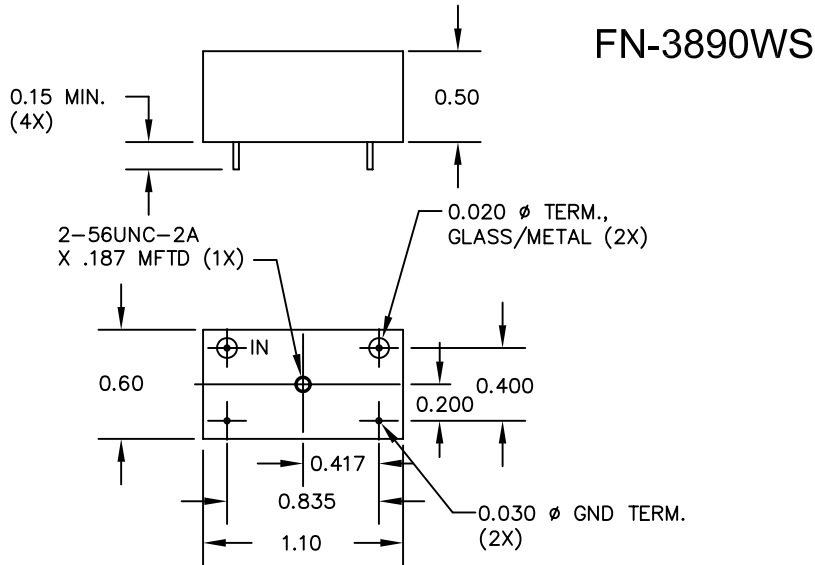
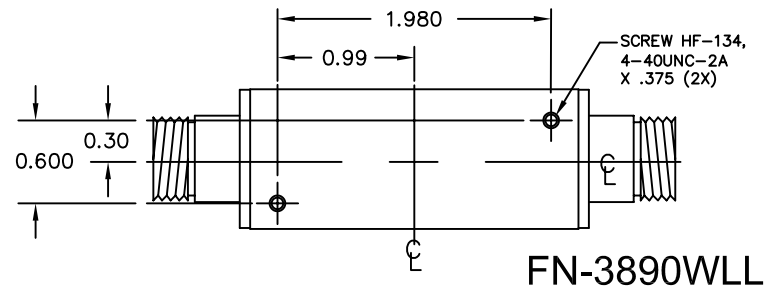
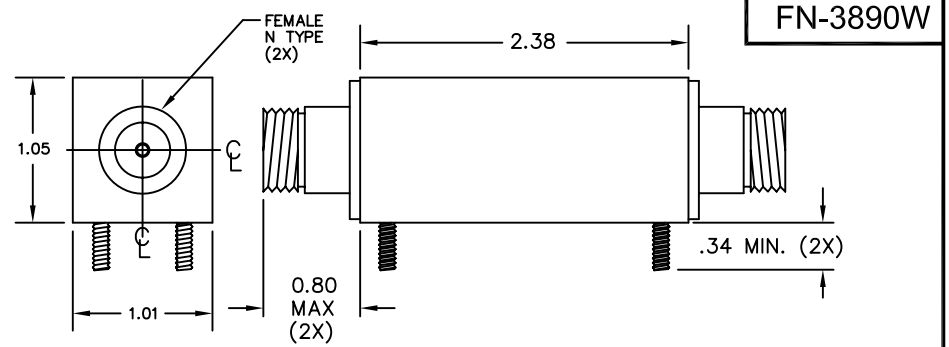
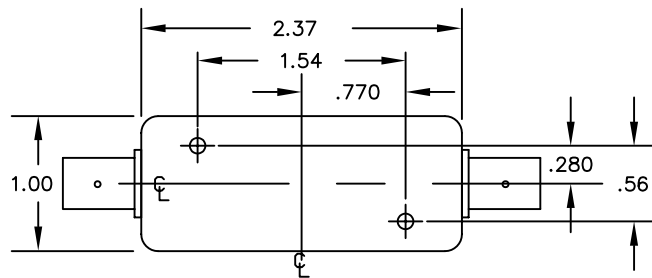
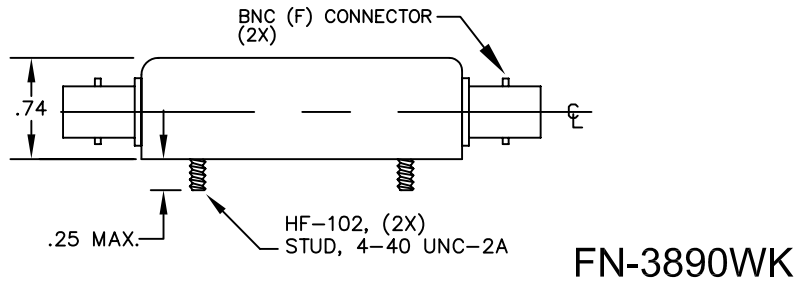
FN-3890W DRAWING SUMMARY SHEET 1 of 2

FILTRONETICS, INC.
 6010 PARRETTA DR.
 KANSAS CITY, MO 64120
 816-231-7375
 FAX 816-241-0368
 WWW.FILTRO.NET

TOLERANCES UNLESS NOTED

ANGLE = ± 1°	HOLES
.XX = ± .020	± .002
.XXX = ± .010	

REVISED 06/11/2012 PER ECO 4379



FN-3890W DRAWING SUMMARY SHEET 2 of 2

FILTRONETICS, INC.
6010 PARRETTA DR.
KANSAS CITY, MO 64120
816-231-7375
FAX 816-241-0368
WWW.FILTRO.NET

TOLERANCES UNLESS NOTED

ANGLE = $\pm 1^\circ$	HOLES
.XX = $\pm .020$	$\pm .002$
.XXX = $\pm .010$	

REVISED 06/11/2012 PER ECO 4379