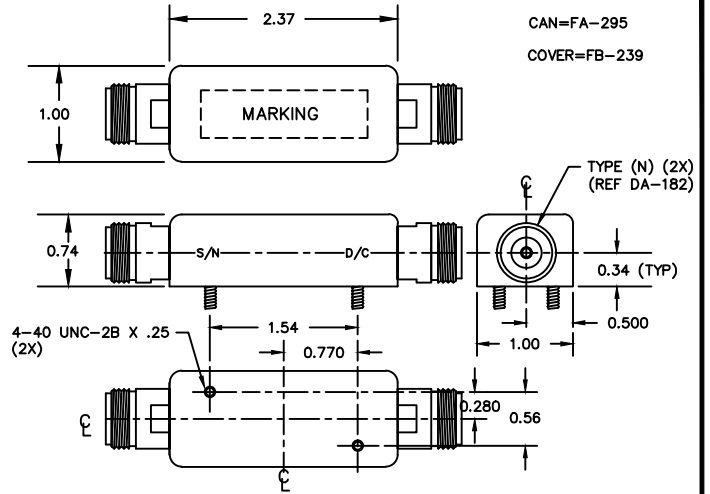


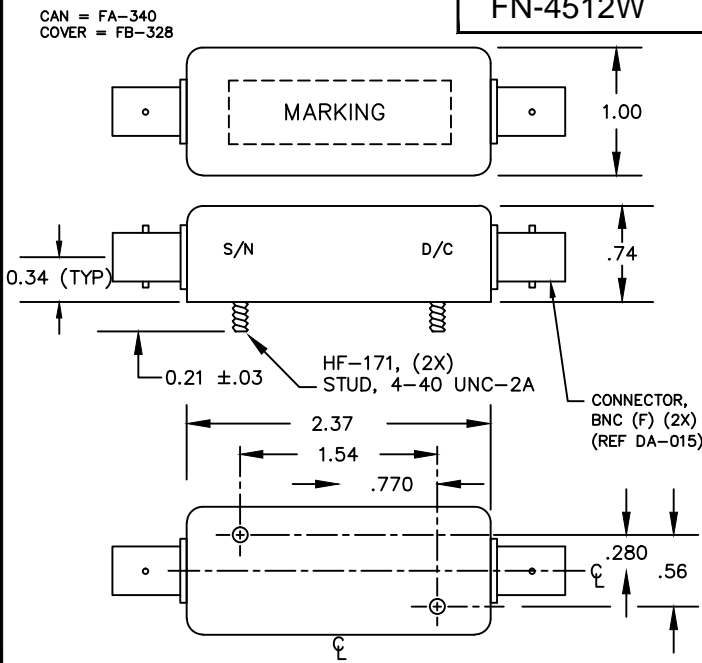
CRYSTAL BANDPASS FILTER

Fo: 131.675 MHz
 INSERTION LOSS: 7.5 dB MAX
 PASS BAND RIPPLE: 1.0 dB MAX
 3 dBc BANDWIDTH: 20 KHz MIN
 40 dBc BANDWIDTH: ±45 KHz MAX
 INPUT POWER: 0 dBm MAX
 ULTIMATE ATTENUATION: 40 dB MIN
 OPERATING TEMPERATURE: 0 TO 75°C
 IMPEDANCE : 50 OHMS
 RoHS COMPLIANT: NO

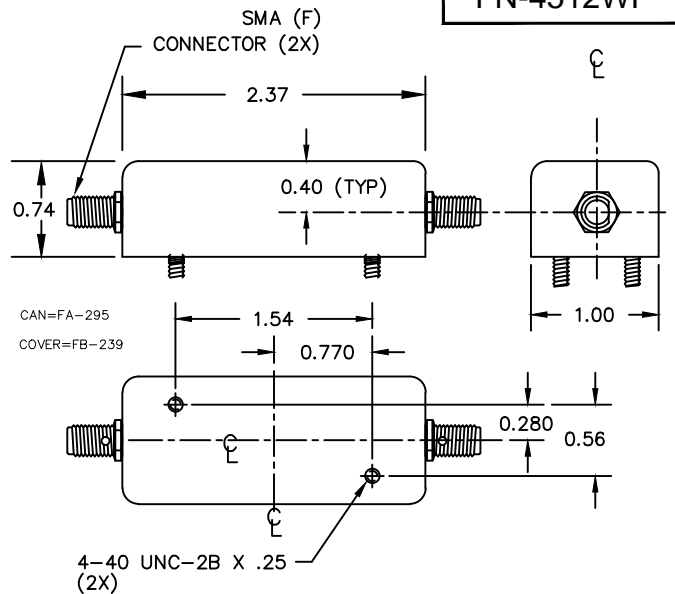
FN-4512WFC



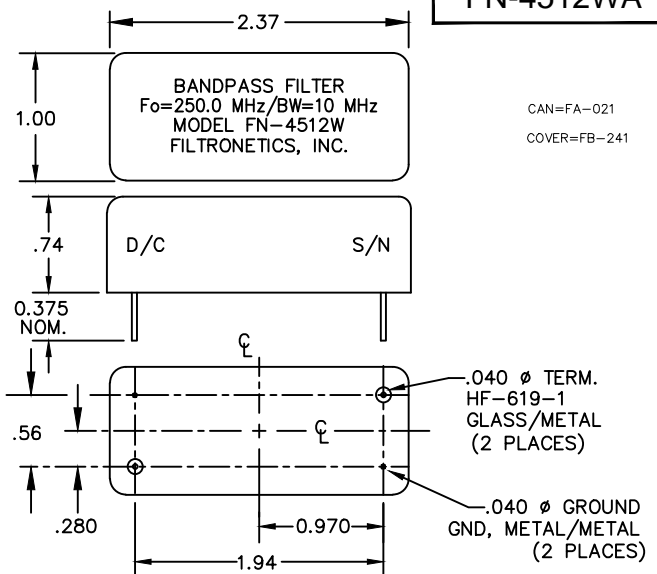
FN-4512W



FN-4512WF



FN-4512WA



FN-3887-53W DRAWING SUMMARY

FILTRONETICS, INC.
 6010 PARRETTA DR.
 KANSAS CITY, MO 64120
 816-231-7375
 FAX 816-241-0368
 WWW.FILTRO.NET

TOLERANCES UNLESS NOTED

.XX = ± .020
 .XXX = ± .010

ANGLE = ± 1°
 HOLES = ± .002

REVISED 6/29/2016

FILTRONETICS, INC. PROVIDES CUSTOM FILTERS, PLEASE CONTACT FACTORY.
 DRAWING SUBJECT TO CHANGE WITHOUT NOTICE.