

NOTCH FILTER

- Fo: 10.7 MHz
- 3dB BANDWIDTH: ± 8 KHz MAX
- 60 dB BANDWIDTH: ± 1 KHz MIN
- INSERTION LOSS: 1.0 dB MAX
- PASSBAND RIPPLE: 1.0 dB MAX ± 1 MHz
- IMPEDANCE: 50 OHMS (IN & OUT)
- INPUT POWER: 10 dBm MAX, 20 dBm WITHOUT DAMAGE

OPERATING TEMPERATURE: -32°C to +70°C

FN-3886W DRAWING SUMMARY SHEET 1 of 2

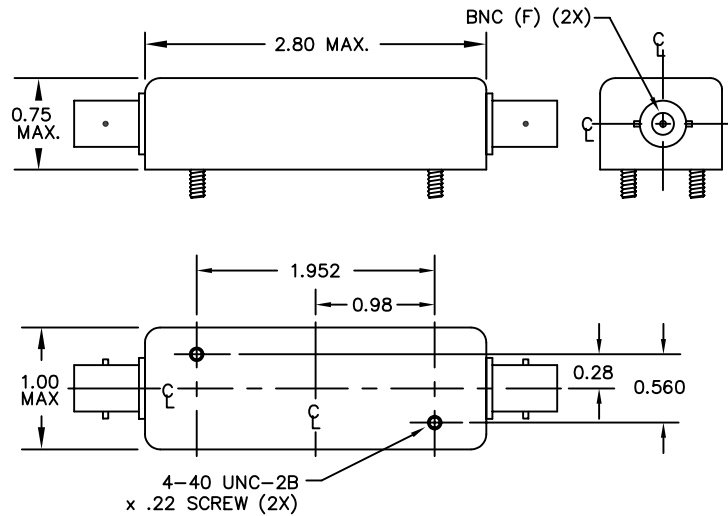
FILTRONETICS, INC.
 6010 PARRETTA DR.
 KANSAS CITY, MO 64120
 816-231-7375
 FAX 816-241-0368
 WWW.FILTRO.NET

TOLERANCES UNLESS NOTED

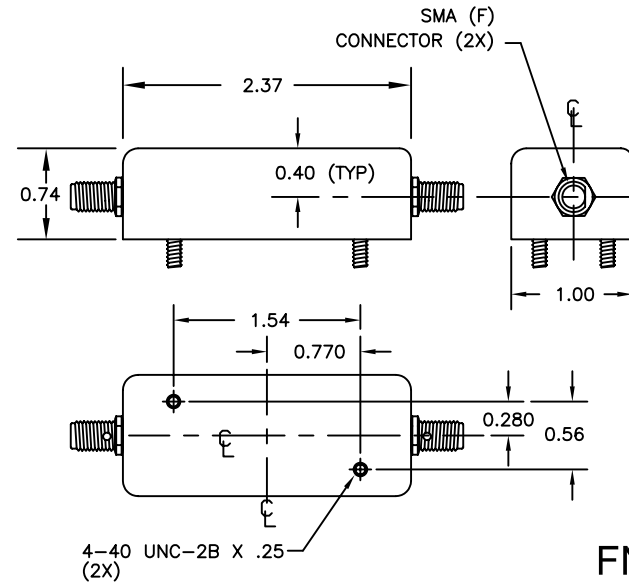
ANGLE = ± 1°	HOLES
.XX = ± .020	± .002
.XXX = ± .010	

REVISED 10/18/07

FN-3886WJJ

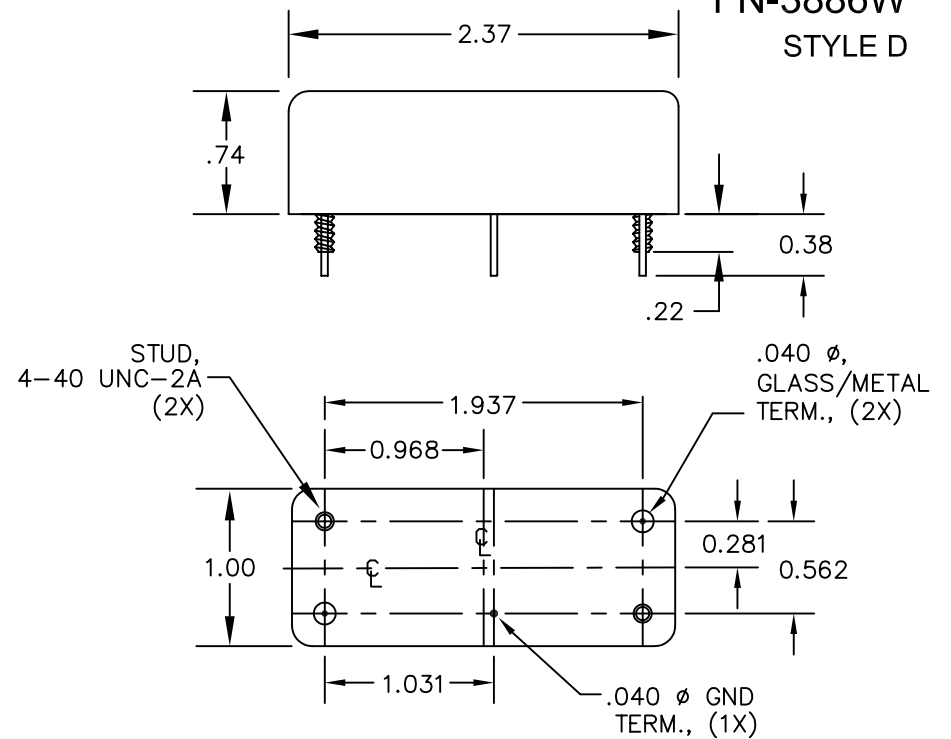


FN-3886W



FN-3886WF

FN-3886W STYLE D



FN-3886W DRAWING SUMMARY

SHEET 2 of 2

FILTRONETICS, INC.
6010 PARRETTA DR.
KANSAS CITY, MO 64120
816-231-7375
FAX 816-241-0368
WWW.FILTRO.NET

TOLERANCES UNLESS NOTED

ANGLE = $\pm 1^\circ$	HOLES
.XX = $\pm .020$	$\pm .002$
.XXX = $\pm .010$	

REVISED 10/18/07