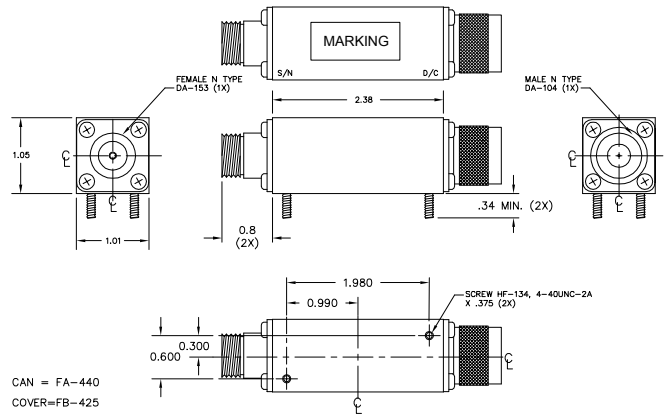


Fo: 108.3MHz  
 IMPEDANCE : 50 OHMS  
 INSERTION LOSS: 5.0 dB MAX  
 RIPPLE: 1.0 dB MAX  
 3 dBc BANDWIDTH: 20 KHz NOM  
 6 dBc BANDWIDTH: 23 KHz ± 3.5KHZ  
 30 dBc BANDWITH 44 KHz MAX  
 60 dBc BANDWITH 160 KHz MAX  
 SPURIOUS ATTENUATION: 60 dBc TYPICAL  
 OPERATING TEMPERATURE : 30° TO 70° C

### FN-3882W

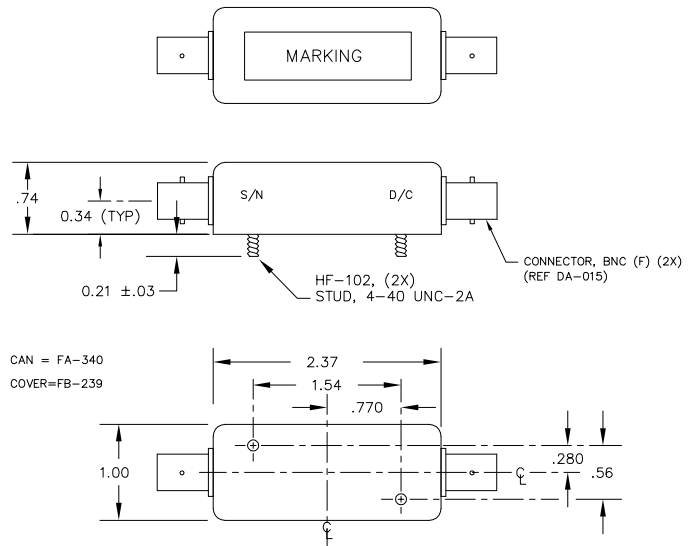
SHOWN IN PACKAGE "RF"



CAN = FA-440  
COVER=FB-425

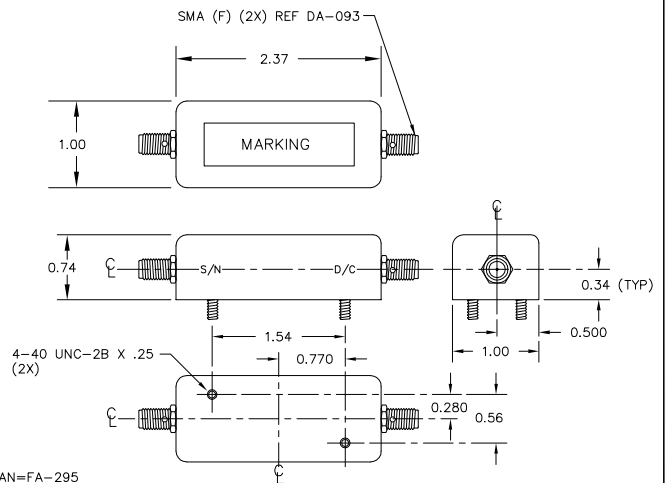
### FN-3882WK

NOTE:  
SHIP WITH 4-40 LOCKWASHERS  
AND HEX NUTS.



CAN = FA-340  
COVER=FB-239

### FN-3882WF



CAN=FA-295  
COVER=FB-239

### FN-3882W DRAWING SUMMARY

**FILTRONETICS, INC.**  
 6010 PARRETTA DR.  
 KANSAS CITY, MO 64120  
 816-231-7375  
 FAX 816-241-0368  
 WWW.FILTRO.NET

TOLERANCES UNLESS NOTED

.XX = ± .020  
.XXX = ± .010

ANGLE = ± 1°  
HOLES = ± .002

REVISED 07/27/15

FILTRONETICS, INC. PROVIDES CUSTOM FILTERS, PLEASE CONTACT FACTORY.  
DRAWING SUBJECT TO CHANGE WITHOUT NOTICE.