

FN-3808W[Package] - [Frequency]

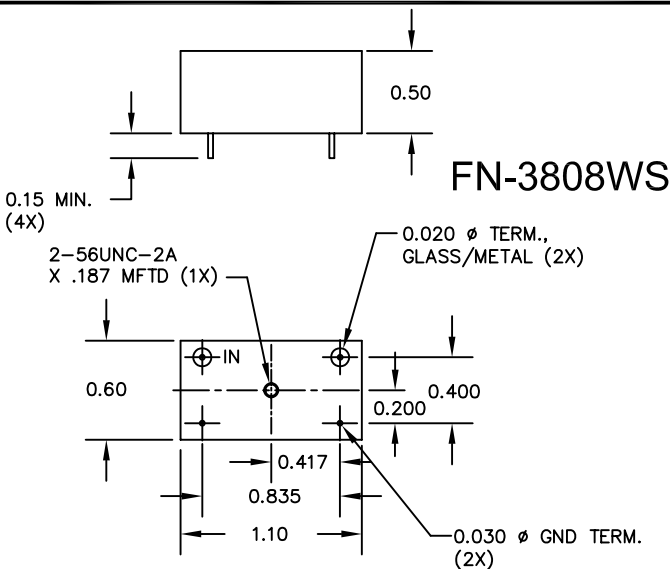
Example: Fo=170 MHz w/ SMA Connectors =  
FN-3808WT-170

**BANDPASS FILTER**

Fo: 150 MHz to 190 MHz  
SPECIFY WITH DASH NUMBER

3dB BANDWIDTH: ±50 KHz MIN  
40 dB BANDWIDTH: ±200 KHz MAX  
INSERTION LOSS: 5.0 dB MAX  
IMPEDANCE: 50 OHMS (IN & OUT)  
RIPPLE: 0.5 dB MAX

OPERATING TEMPERATURE: 0°C to +70°C  
MAX INPUT POWER: TBD (+5 dBm EST)  
(SUPPLIED WITH TEST DATA)



**FN-3808W DRAWING SUMMARY**

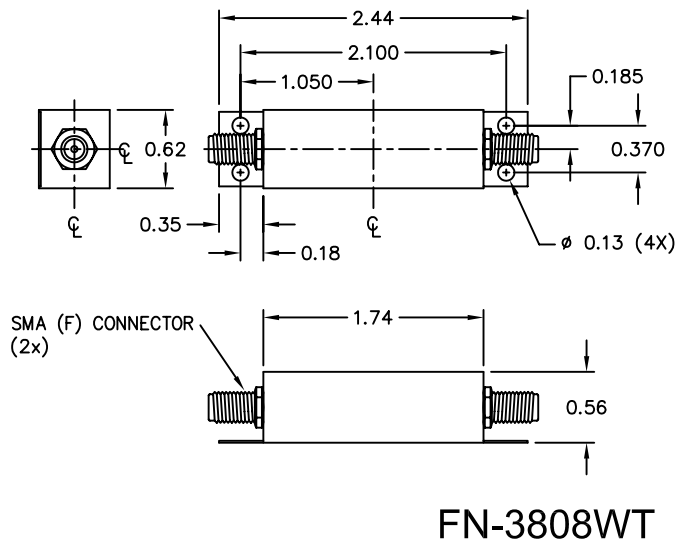
**FILTRONETICS, INC.**  
6010 PARRETTA DR.  
KANSAS CITY, MO 64120  
816-231-7375 FAX 816-241-0368  
WWW.FILTRO.NET

TOLERANCES UNLESS NOTED

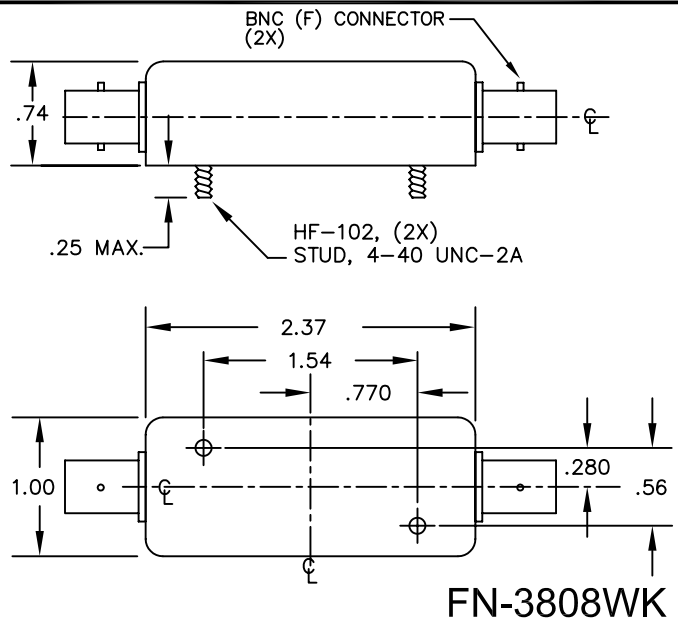
.XX = ± .020	ANGLE = ± 1°
.XXX = ± .010	HOLES = ± .002

PAGE 1 OF 2 | REVISED 03/23/2012 PER ECO 4379

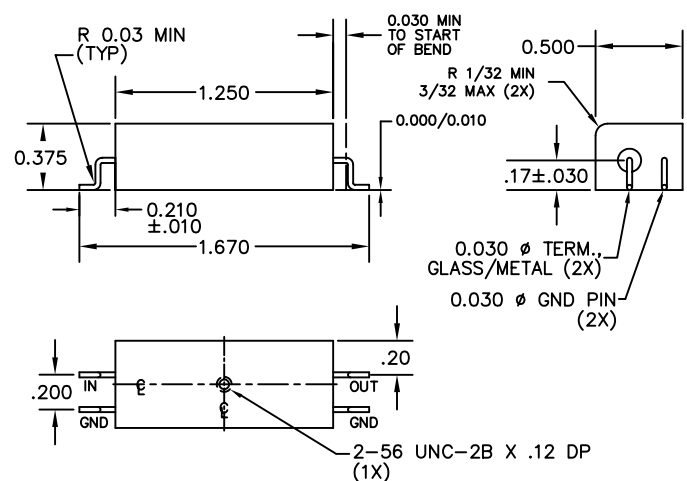
**FN-3808W**



**FN-3808WT**



**FN-3808WK**



**FN-3808WEE**

FN-3808W[Package] - [Frequency]

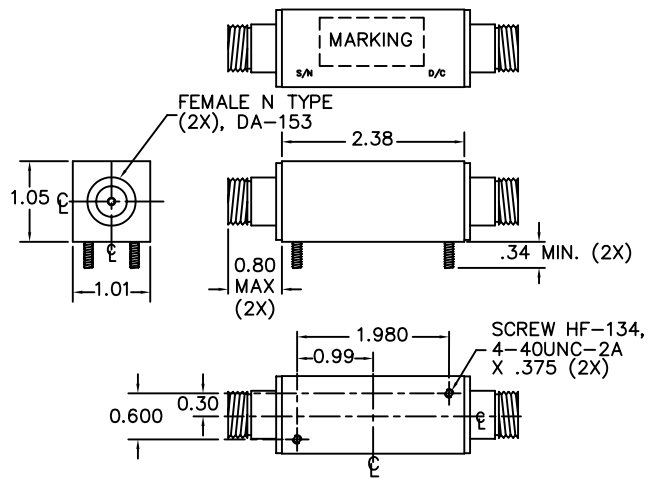
Example: Fo=170 MHz w/ SMA Connectors =  
FN-3808WT-170

**BANDPASS FILTER**

Fo: 150 MHz to 190 MHz  
SPECIFY WITH DASH NUMBER

3dB BANDWIDTH: ±50 KHz MIN  
40 dB BANDWIDTH: ±200 KHz MAX  
INSERTION LOSS: 5.0 dB MAX  
IMPEDANCE: 50 OHMS (IN & OUT)  
RIPPLE: 0.5 dB MAX  
OPERATING TEMPERATURE: 0°C to +70°C  
MAX INPUT POWER: TBD (+5 dBm EST)  
(SUPPLIED WITH TEST DATA)

FN-3808W



FN-3808WLL

**FN-3808W DRAWING SUMMARY**

**FILTRONETICS, INC.**

6010 PARRETTA DR.  
KANSAS CITY, MO 64120  
816-231-7375 FAX 816-241-0368  
WWW.FILTRO.NET

TOLERANCES UNLESS NOTED

.XX = ± .020  
.XXX = ± .010

ANGLE = ± 1°  
HOLES = ± .002

PAGE 2 OF 2 | REVISED 03/23/2012 PER ECO 4379