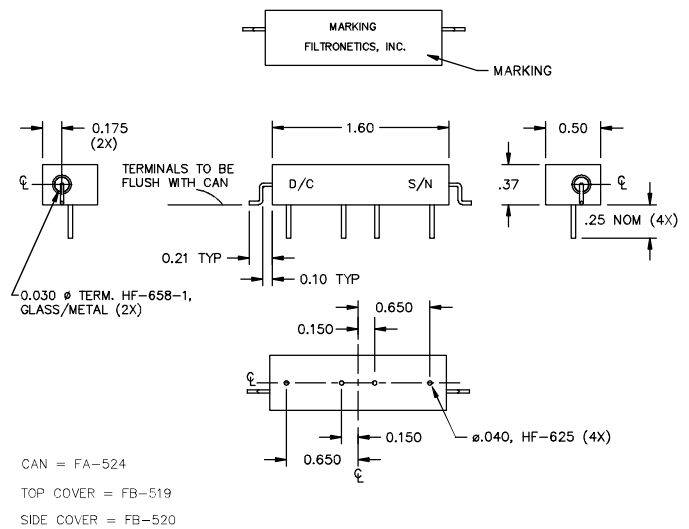


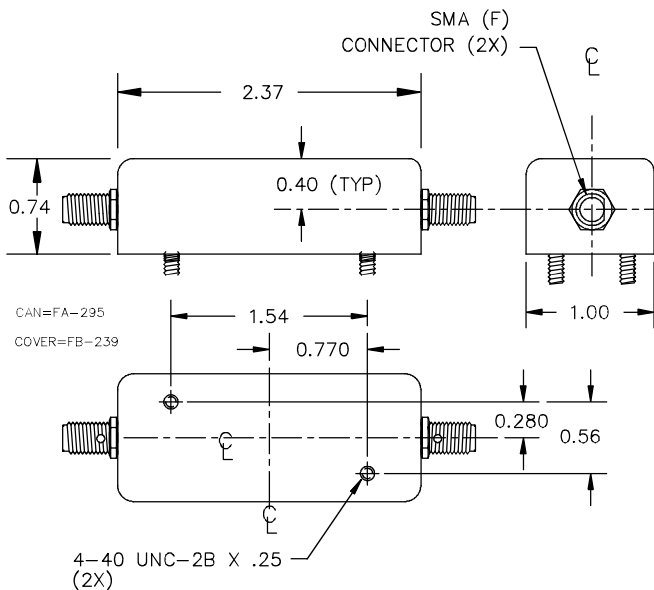
BANDSTOP FILTER

Fo: 70 MHz
INSERTION LOSS: 1.6 dB MAX
PASS BAND RIPPLE: 1.0 dB TYPICAL (± 7 MHz)
3 dBc BANDWIDTH: 20 KHz MAX
60 dBc BANDWIDTH: 2.0 KHz MIN, 3.0 KHz TYP.
INPUT POWER: +10 dBm MAX
IMPEDANCE : 50 OHMS
OPERATING TEMPERATURE : -30° TO +65°C
RoHS COMPLIANT: NO

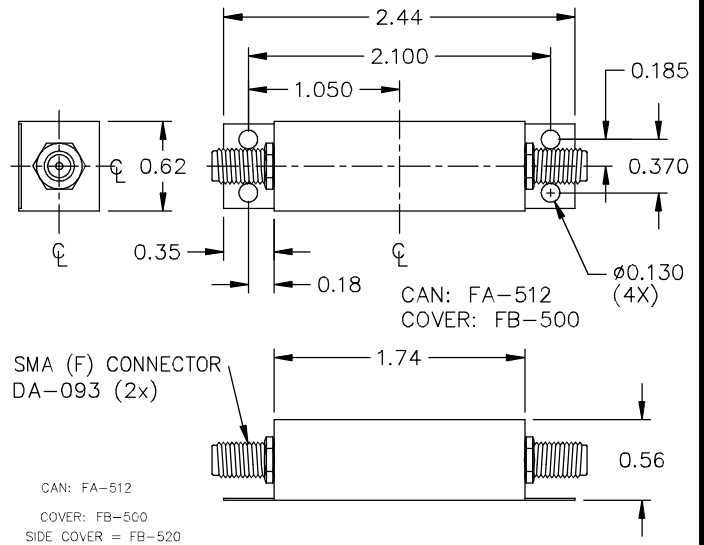
FN-3767W



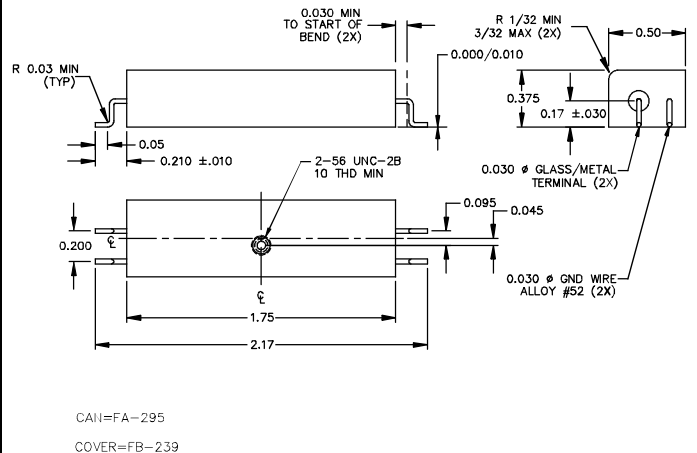
FN-3767WF



FN-3767WT



FN-3767WFF



FN-3767W DRAWING SUMMARY

FILTRONETICS, INC.
 6010 PARRETTA DR.
 KANSAS CITY, MO 64120
 816-231-7375
 FAX 816-241-0368
 WWW.FILTRO.NET

TOLERANCES UNLESS NOTED

.XX = $\pm .020$
.XXX = $\pm .010$

ANGLE = $\pm 1^\circ$
HOLES = $\pm .002$

REVISED 2/18/2016

FILTRONETICS, INC. PROVIDES CUSTOM FILTERS, PLEASE CONTACT FACTORY.
DRAWING SUBJECT TO CHANGE WITHOUT NOTICE.