

1. Part Number: FN-3752

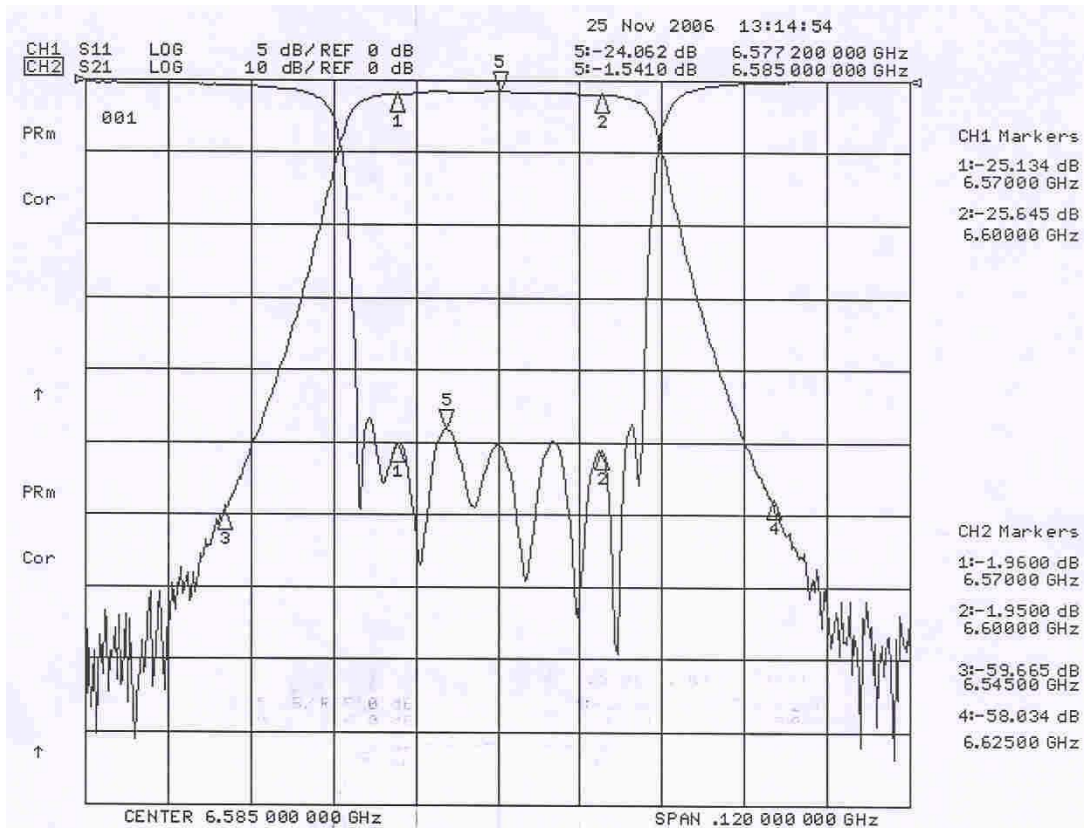
2. Description: A band pass DR filter

3. Electrical Specifications:

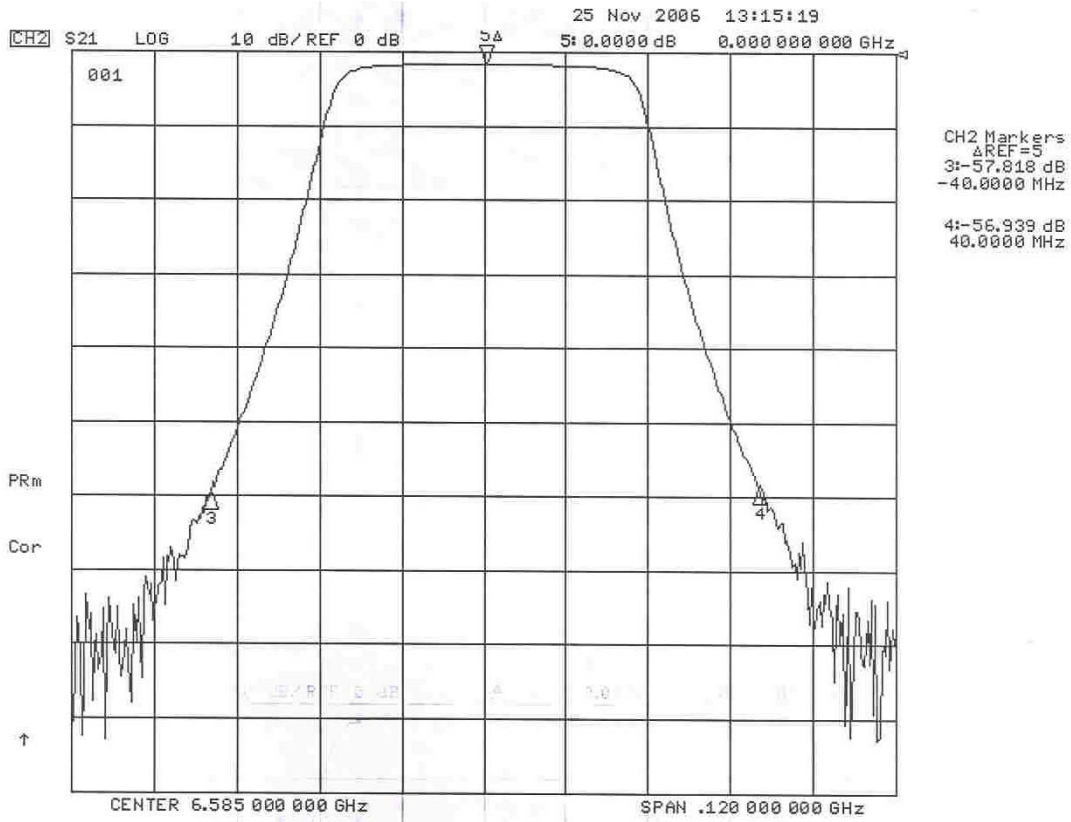
NO	Parameter	Ref.	Specification
1	Center Frequency	a1	6585 MHz
2	Frequency Range	b1	6570 - 6600 MHz
3	Band-width	b1	30 MHz
4	Insertion Loss at BW	c1	2.5 dB max.
5	Ripple at BW	d1	1.0 dB max.
6	Return Loss at BW	i1	20.0 dB min.
7	Rejection	At 6545 MHz	50 dBc min.
		At 6625 MHz	50 dBc min.
8	Connector		SMA(F) - All ports
9	Temp Range		-30°C to +50°C
10	Input Power		30 W max.

4. Graphs

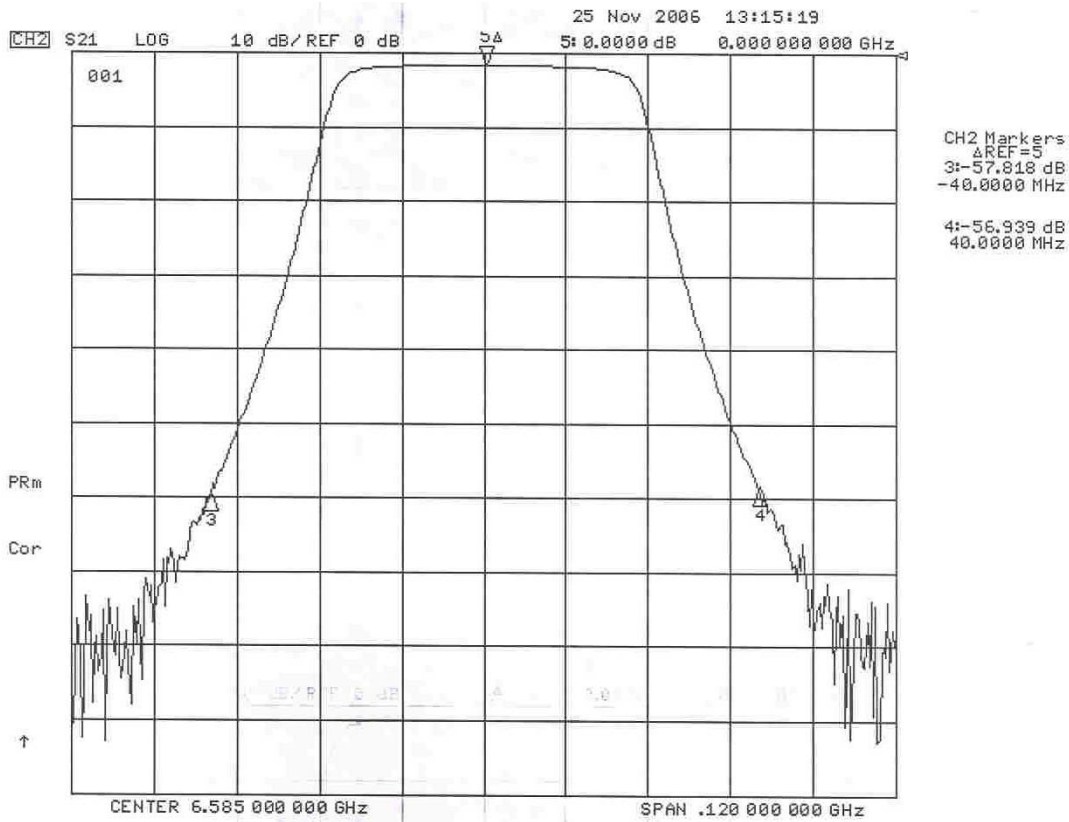
S21 & S11 (INSERTION LOSS, RETURN LOSS)



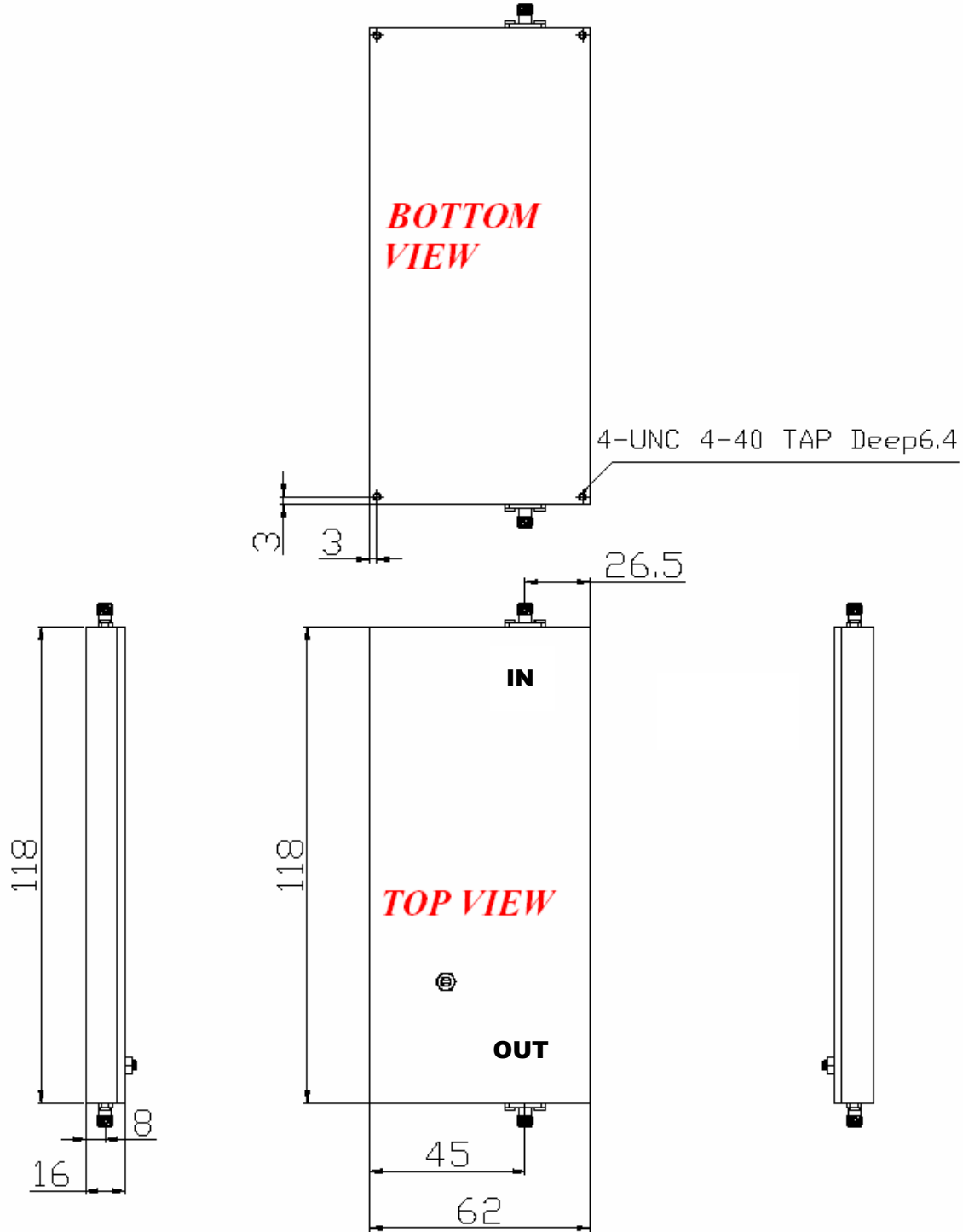
S21 & S11 (ATTENUATION AT 6545, 6625 MHz)



S21 (RIPPLE)



5. Mechanical Package:



□ MATERIAL SPECIFICATION
1. CONNECTOR: SMA FEMALE
2. COLOR: BLACK

※ MARKING
Band Pass Filter
Fo=6585 MHz
Model FN-3752
Filtronetics, Inc
Date Code