

1. Part Number: FN-3751

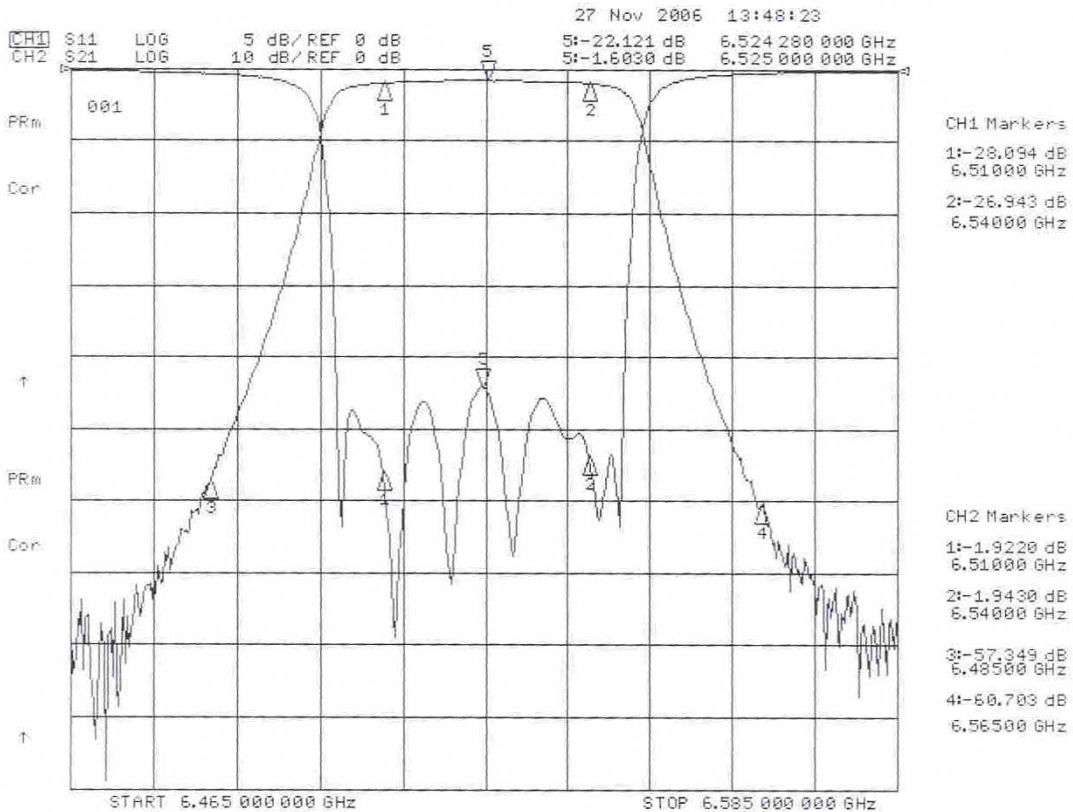
2. Description: A band pass DR filter

3. Electrical Specifications:

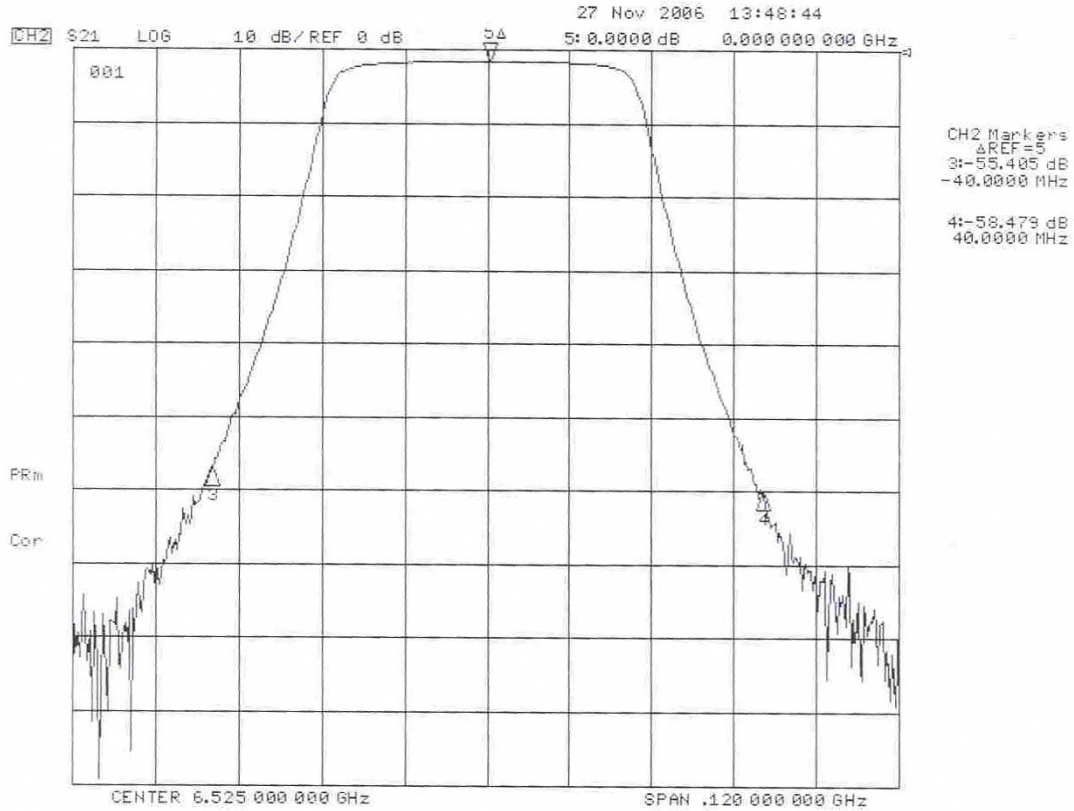
NO	Parameter	Ref.	Specification	
1	Center Frequency	a1	6525 MHz	
2	Frequency Range	b1	6510-6540 MHz	
3	Band-width	b1	30 MHz	
4	Insertion Loss at BW	c1	2.5 dB max.	
5	Ripple at BW	d1	1.0 dB max.	
6	Return Loss at BW	i1	20.0 dB min.	
7	Rejection	At 6485 MHz	e1	50 dBc min.
		At 6565 MHz	f1	50 dBc min.
8	Connector		SMA(F) - All ports	
9	Temp Range		-30°C to +50°C	
10	Input Power		30 W max.	

4. Graphs:

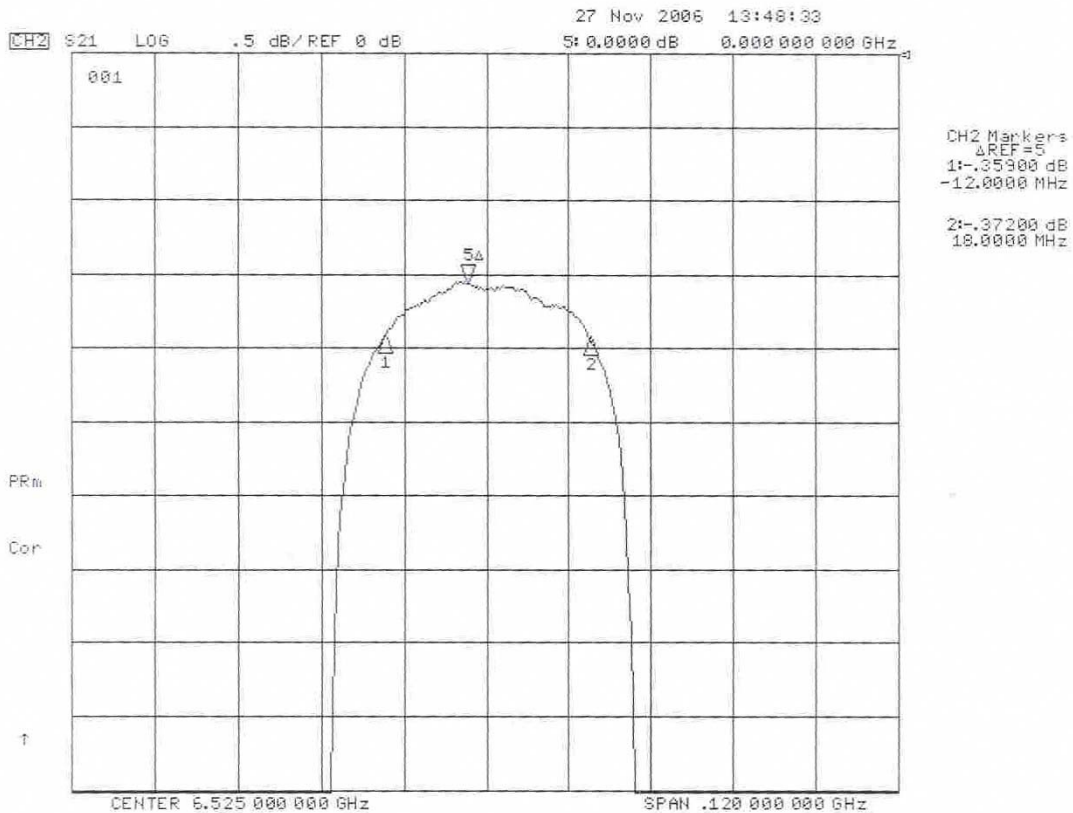
S21 & S11 (INSERTION LOSS, RETURN LOSS)



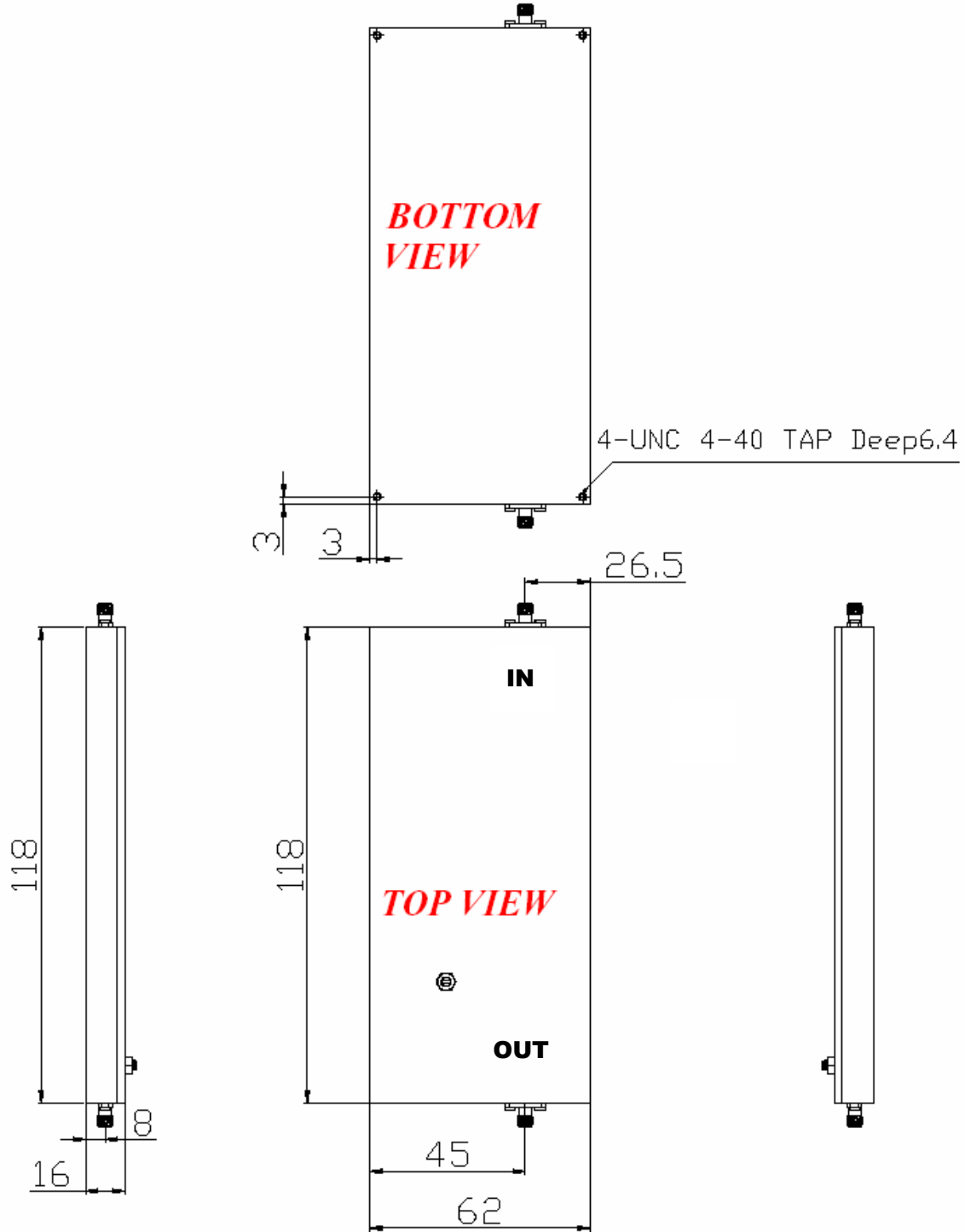
S21 & S11 (ATTENUATION AT 6485, 6565 MHz)



S21 (RIPPLE)



5. Mechanical Package:



□ MATERIAL SPECIFICATION

1. CONNECTOR: SMA FEMALE
2. COLOR: BLACK

※ MARKING

Band Pass Filter
Fo=6525 MHz
Model FN-3751
Filtronetics, Inc
Date Code