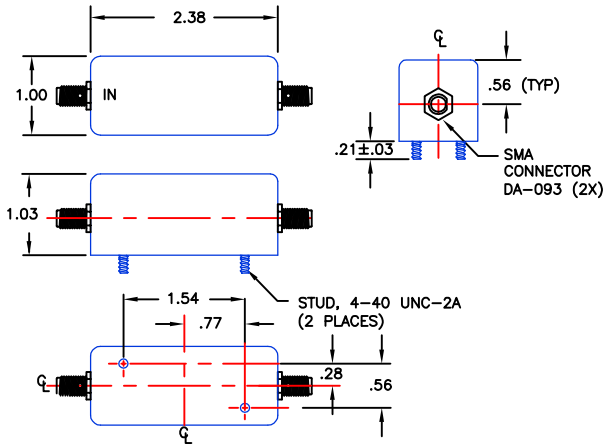
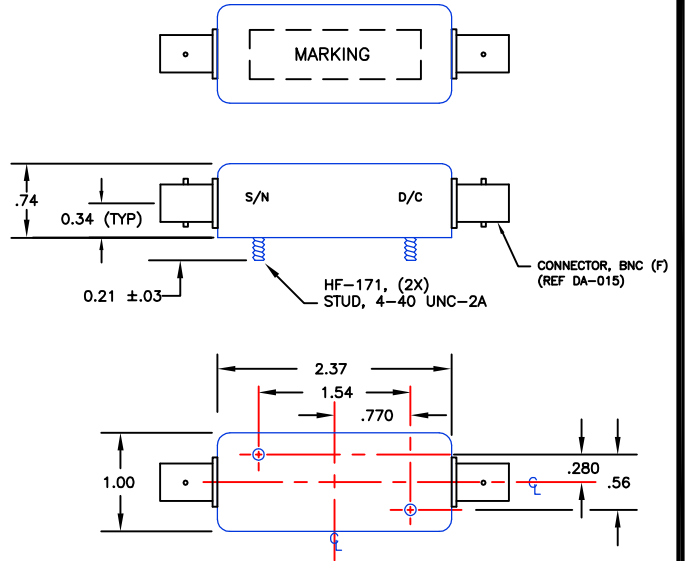


Center Frequency (Fo)	153.075 MHz
1d Bc Band Width:	±5 KHz Min over temp.
Insertion Loss:	6.5 dB Max
Pass Band Ripple:	1.0 dB Max
45 dBc at:	153.025 MHz
60 dBc at:	153.225 to 153.400 MHz
Input Power:	0 dBm Max
Impedance:	50 Ohms
Operating Temperature:	0 to +50°C
Workmanship	J-STD-001

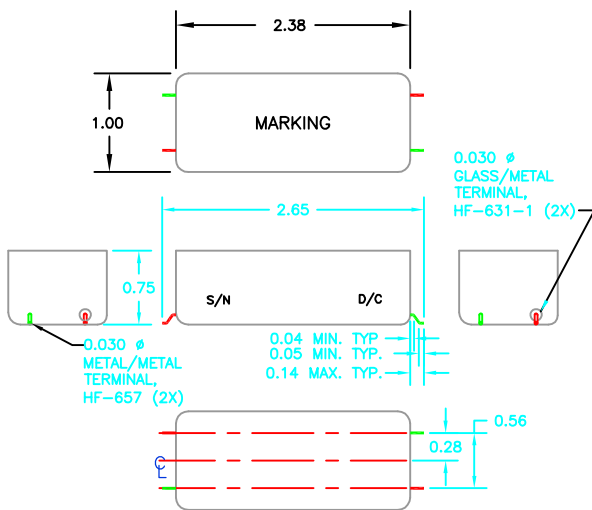
FN-3715WE



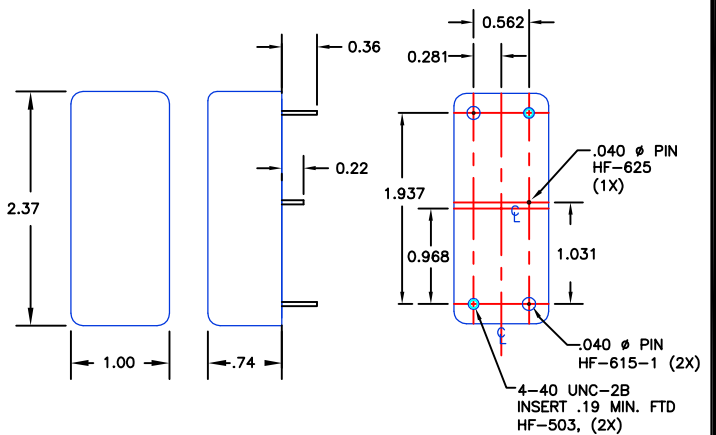
FN-3715W



FN-3715WU



FN-3715W



FN-3715W

FILTRONETICS, INC.

6010 PARRETTA DR. KANSAS CITY, MO
 64120 816-231-7375 FAX 816-241-0368
 WWW.FILTRO.NET