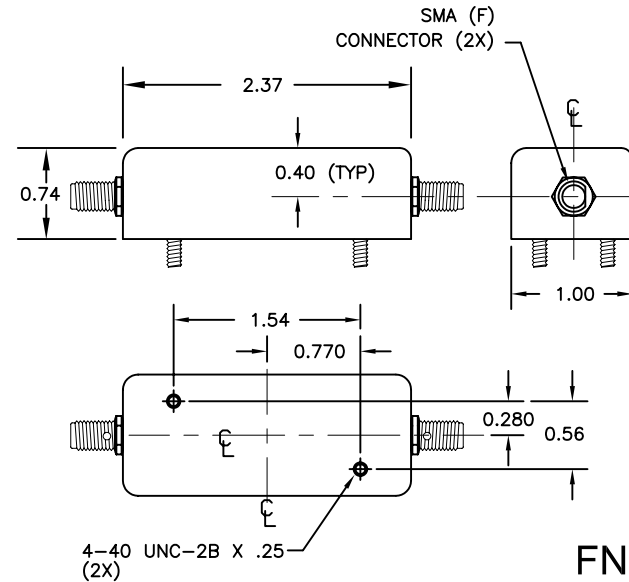


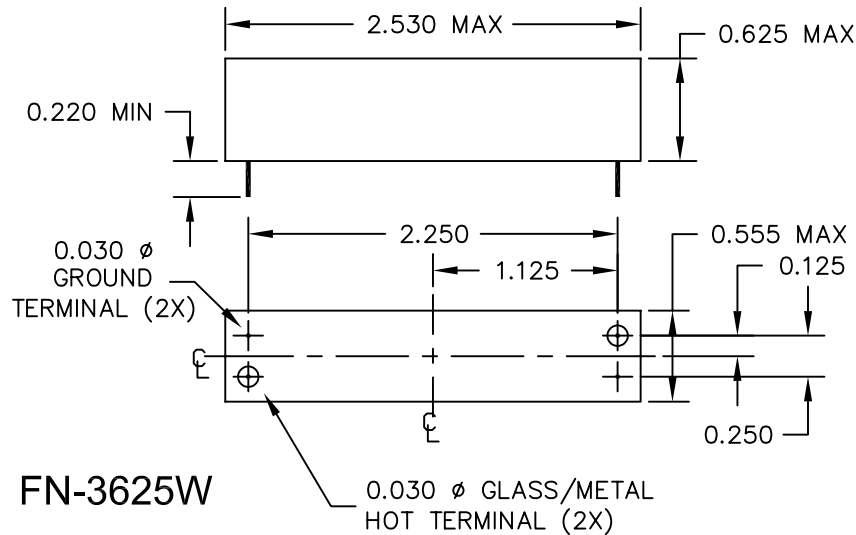
BANDPASS FILTER

Fo: 243.0 MHz
3dB BANDWIDTH: ±6.75 KHz MINIMUM
6dB BANDWIDTH: ±12.5 KHz MINIMUM
RIPPLE: 1.0 dB MAXIMUM
20 dB BANDWIDTH: ±35 KHz MAXIMUM
40 dB BANDWIDTH: ±55 KHz MAXIMUM
SPURIOUS ATTENUATION: 40 dB MINIMUM
ULTIMATE ATTENUATION: 60 dB MINIMUM
INSERTION LOSS @ Fo: 8.0 dB MAX
IMPEDANCE: 50 OHMS (IN & OUT)
OPERATING TEMPERATURE: -40°C to +70°C

FN-3625W

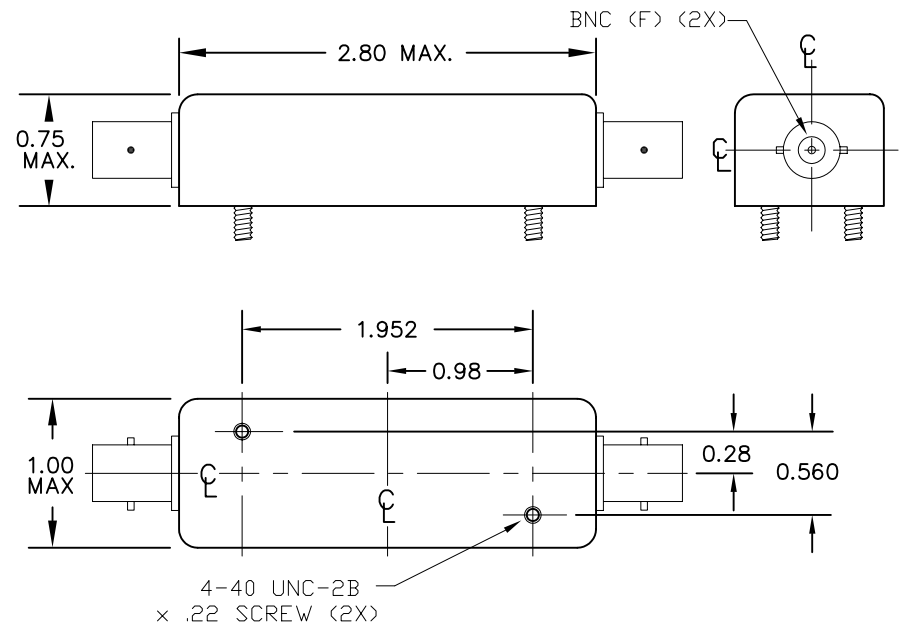


FN-3625WF



FN-3625W

FN-3625WJJ



FN-3625W DRAWING SUMMARY

FILTRONETICS, INC.
 6010 PARRETTA DR.
 KANSAS CITY, MO 64120
 816-231-7375
 FAX 816-241-0368
 WWW.FILTRO.NET

TOLERANCES UNLESS NOTED

ANGLE = ± 1°	HOLES
.XX = ± .020	± .002
.XXX = ± .010	

REVISED 2/8/2007