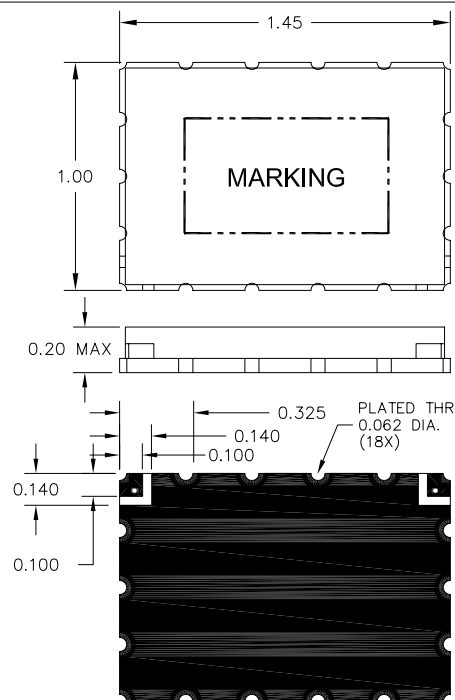
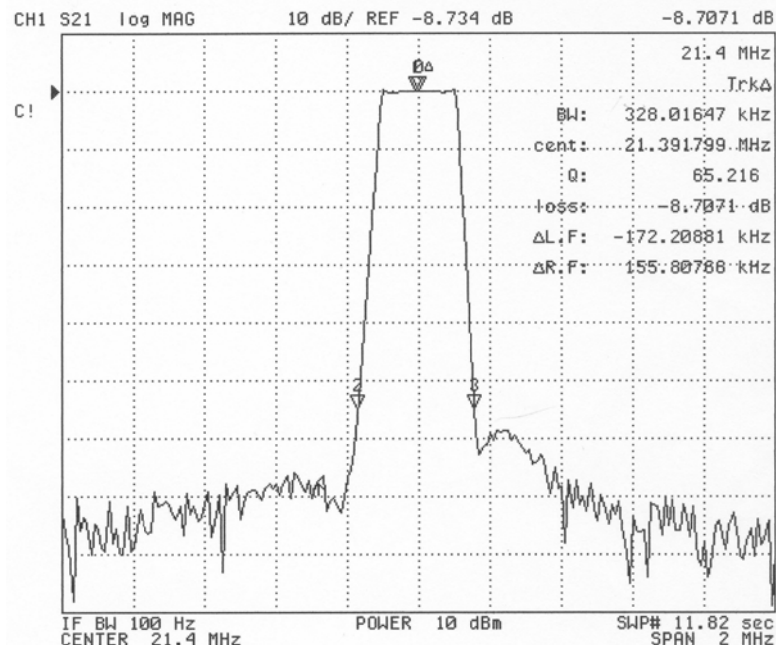


BANDPASS FILTER

Fo: 21.4 MHz
IMPEDANCE : 50 OHMS (IN & OUT)
INSERTION LOSS: 9.5 dB MAX
RIPPLE: 1.5 dB MAX
3dB BANDWIDTH: 220 KHz NOMINAL
55dB BANDWIDTH: 360 KHz MAX
ULTIMATE ATTENUATION: 60 dB MIN
OPERATING TEMPERATURE : 0°C to +70°C



FN-3500W

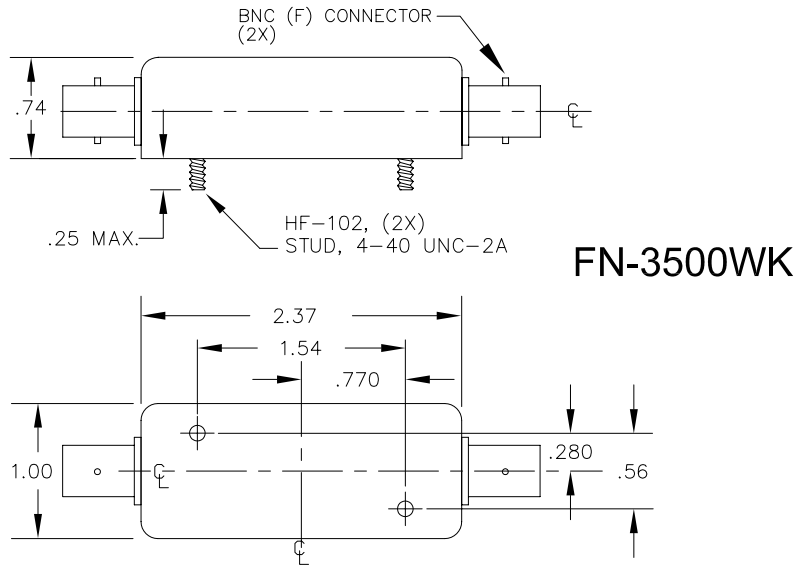
FN-3500W DRAWING SUMMARY SHEET 1 of 2

FILTRONETICS, INC.
 6010 PARRETTA DR.
 KANSAS CITY, MO 64120
 816-231-7375
 FAX 816-241-0368
 WWW.FILTRO.NET

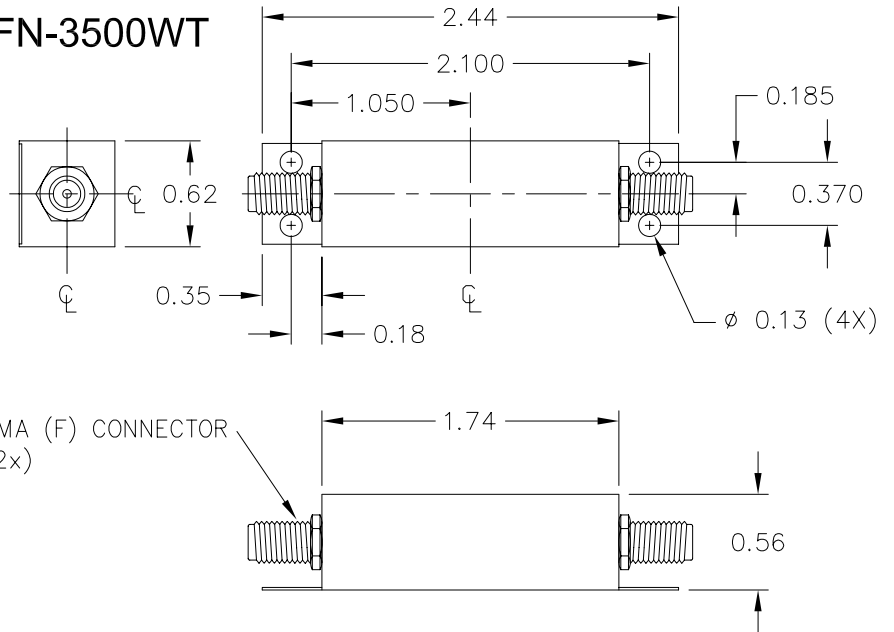
TOLERANCES UNLESS NOTED

ANGLE = ± 1°	HOLES ± .002
.XX = ± .020	
.XXX = ± .010	

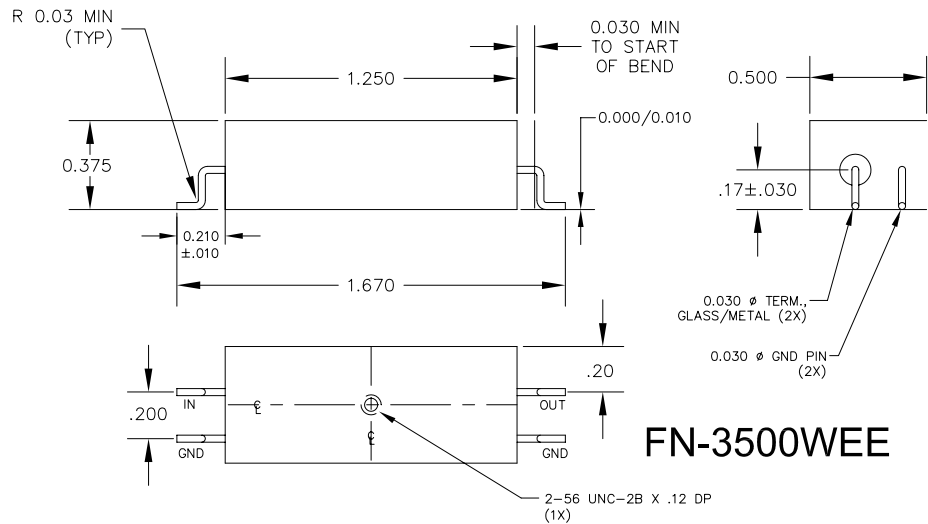
REVISED 3/31/06



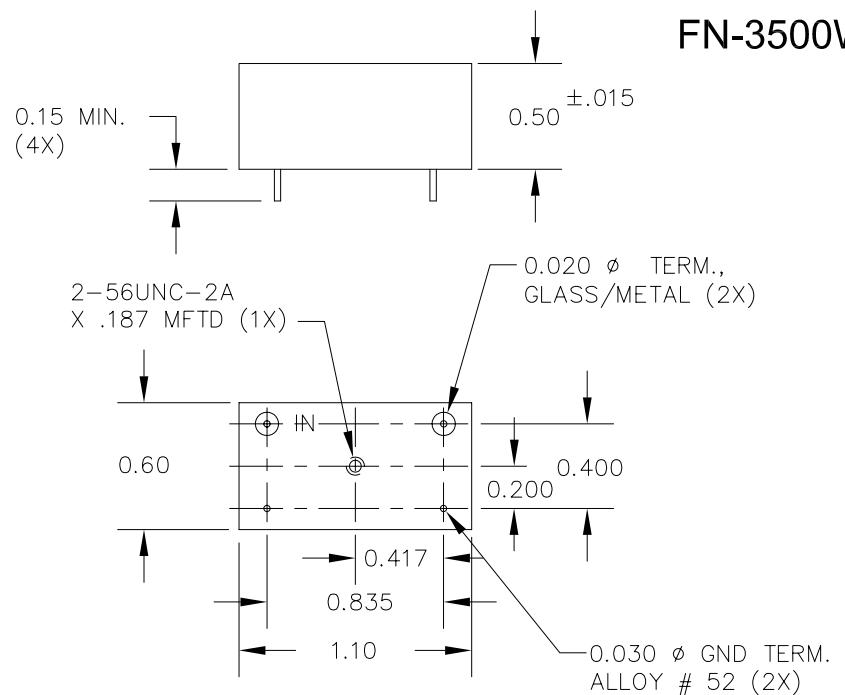
FN-3500WT



FN-3500W



FN-3500WS



FN-3500W DRAWING SUMMARY SHEET 2 of 2

FILTRONETICS, INC.
 6010 PARRETTA DR.
 KANSAS CITY, MO 64120
 816-231-7375
 FAX 816-241-0368
 WWW.FILTRO.NET

TOLERANCES UNLESS NOTED

ANGLE = ± 1°	HOLES ± .002
.XX = ± .020	
.XXX = ± .010	

REVISED 3/31/06