

BANDPASS FILTER

Fo: 10.70 MHz \pm 100 Hz ROOM TEMP.
 \pm 300 Hz OVER TEMP.

IMPEDANCE : 50 OHM (IN/OUT)

INSERTION LOSS: 4.0 dB MAX @ Fo

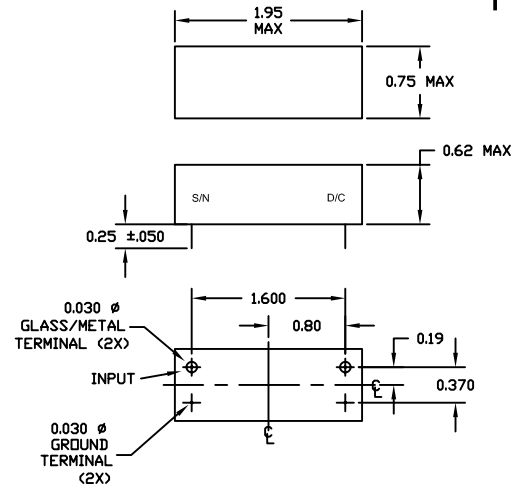
RIPPLE: 0.5 dB MAX

3dB BANDWIDTH: 1.2 KHz \pm .1 KHz

60dB BANDWIDTH: 8 KHz MAX

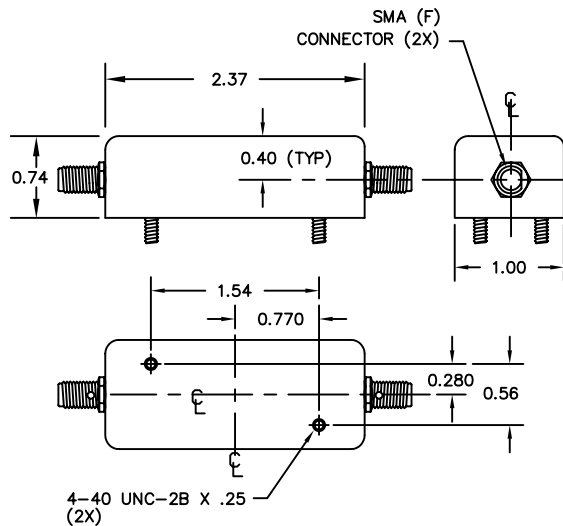
OPERATING TEMPERATURE : -40°C to +85°C

FN-3411W

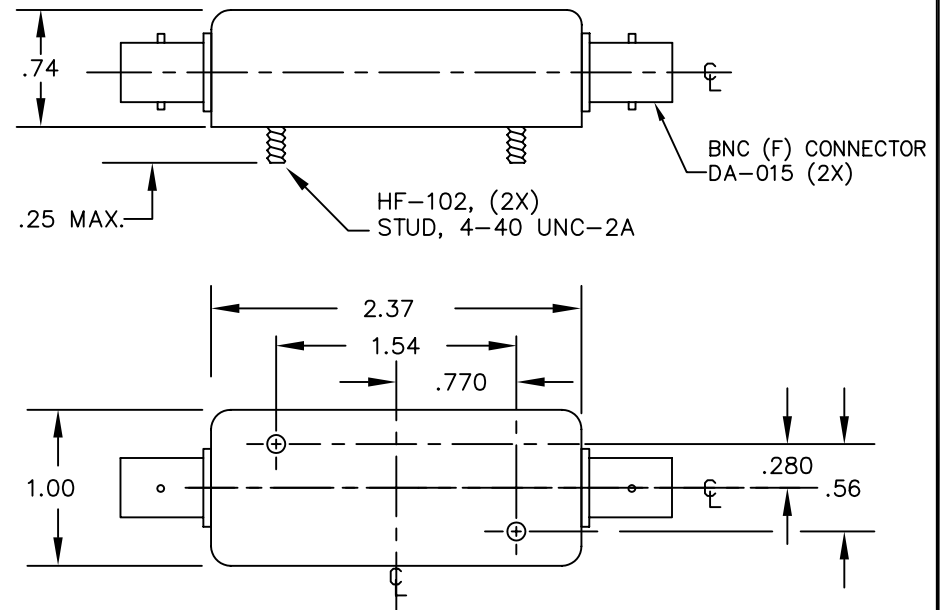


CAN = FA-712
COVER=FB-682

FN-3411WF



FN-3411WK



FN-3411W DRAWING SUMMARY

FILTRONETICS, INC.
 6010 PARRETTA DR.
 KANSAS CITY, MO 64120
 816-231-7375
 FAX 816-241-0368
 WWW.FILTRO.NET

TOLERANCES UNLESS NOTED

ANGLE = \pm 1°	HOLES
.XX = \pm .020	\pm .002
.XXX = \pm .010	

REVISED 03/07/12 ECO 4369