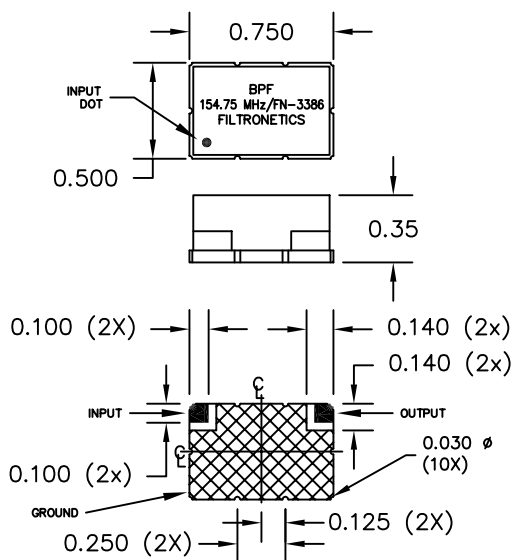


# BANDPASS FILTER

**Fo:** 154.75 MHz \*  
**IMPEDANCE :** 50 ohms IN/OUT  
**INSERTION LOSS:** 1.0 dB MAX @ Fo  
**RIPPLE:** 0.5 dB MAX  
**0.5dB PASSBAND:** 37.5 MHz MIN  
**RETURN LOSS IN PASSBAND:** 9.6 dB MIN  
**REJECTION MINIMUM:** 40 dBc: DC to 46.5 MHz  
                                   35 dBc: 46.5 to 87.5 MHz  
                                   30 dBc: 225 to 1200 MHz  
                                   20 dBc: 1200 to 1500 MHz  
**OPERATING TEMPERATURE :** -40°C to +85°C  
**MAXIMUM INPUT POWER:** +7 dBm  
 \* OTHER SIMILAR FREQUENCIES CAN BE CUSTOMIZED IN THE SAME PACKAGE, CONSULT FACTORY.



## FN-3386W DRAWING SUMMARY

**FILTRONETICS, INC.**  
 6010 PARRETTA DR.  
 KANSAS CITY, MO 64120  
 816-231-7375  
 FAX 816-241-0368  
 WWW.FILTRO.NET

TOLERANCES UNLESS NOTED

ANGLE = $\pm 1^\circ$	HOLES
.XX = $\pm .020$	$\pm .002$
.XXX = $\pm .010$	

REVISED 12/19/08

