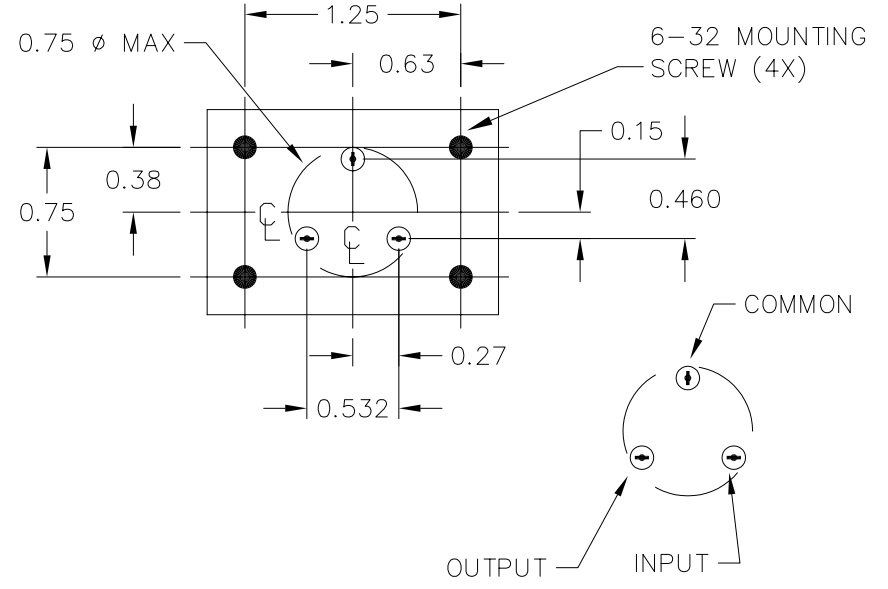
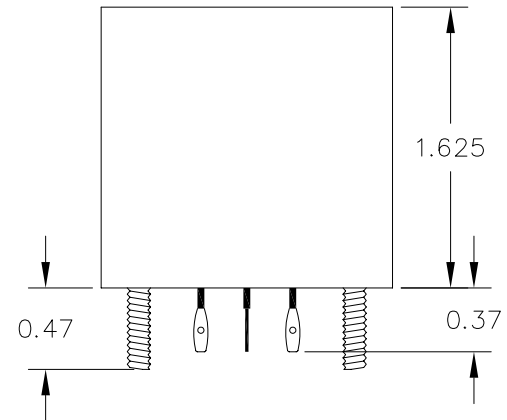
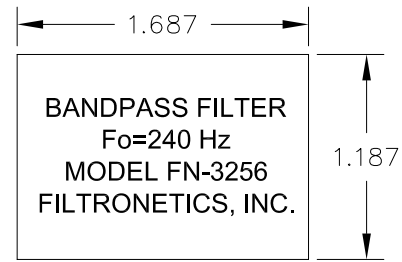


FN-3256W

# BANDPASS FILTER

**Fo:** 240 Hz  
**2dB BANDWIDTH:** ±7 Hz MIN  
**40dB BANDWIDTH:** 300 Hz MAX  
**SOURCE IMPEDANCE:** 10 Kohm  
**LOAD IMPEDANCE:** GRID or APPROXIMATELY 100 Kohm AND HIGHER  
**GAIN:** APPROXIMATELY 2:1



**TERMINAL ID**

## FN-3256W DRAWING SUMMARY

**FILTRONETICS, INC.**  
 6010 PARRETTA DR.  
 KANSAS CITY, MO 64120  
 816-231-7375  
 FAX 816-241-0368  
 WWW.FILTRO.NET

TOLERANCES UNLESS NOTED

ANGLE = ± 1°	HOLES
.XX = ± .020	± .002
.XXX = ± .010	

REVISED 11/23/04