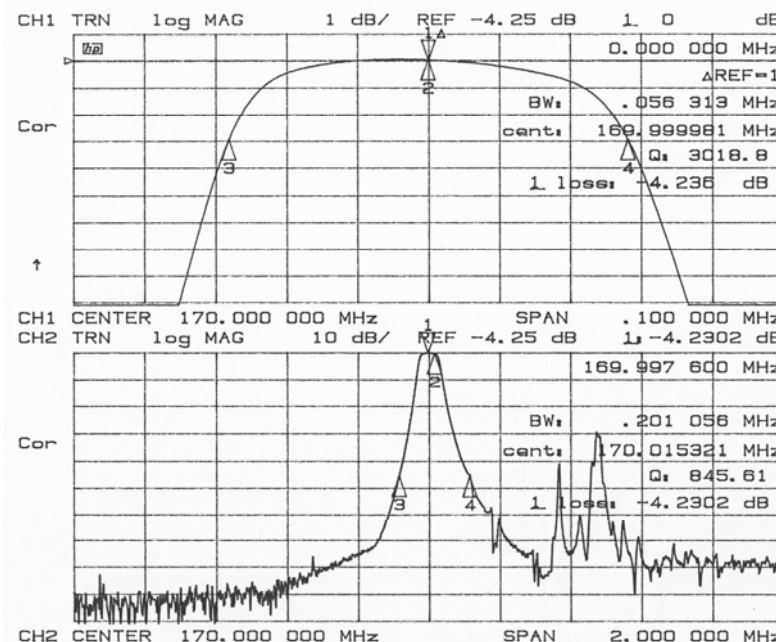
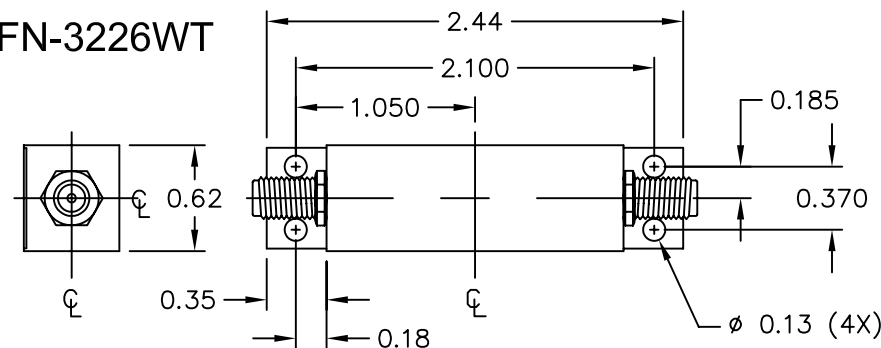


BANDPASS FILTER

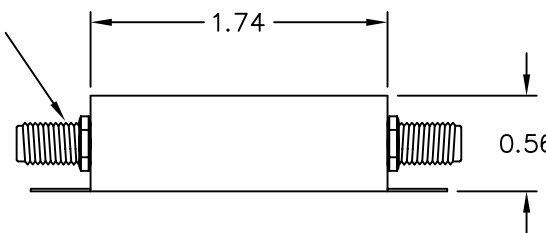
Fo: 170.0 MHz
IMPEDANCE : 50 OHMS (IN & OUT)
INSERTION LOSS: 6.0 dB MAX, 5 dB TYPICAL
RIPPLE: 0.75 dB MAX
3dB BANDWIDTH: 50 KHz MIN
40dB BANDWIDTH: 200 KHz MAX
SPURIOUS ATTENUATION: 15 dB MIN
ULTIMATE ATTENUATION: 60 dB MIN
OPERATING TEMPERATURE : -20°C to +75°C



FN-3226WT



SMA (F) CONNECTOR (2x)



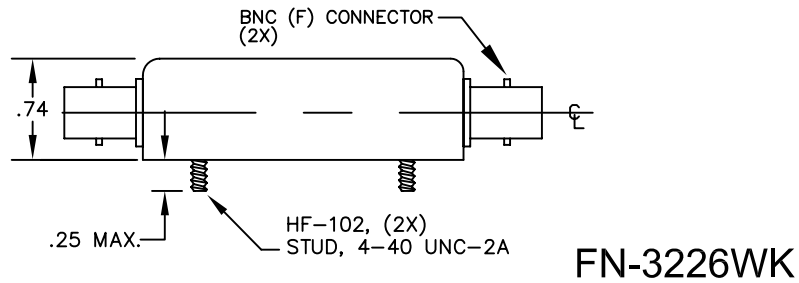
FN-3226W DRAWING SUMMARY SHEET 1 of 2

FILTRONETICS, INC.
 6010 PARRETTA DR.
 KANSAS CITY, MO 64120
 816-231-7375
 FAX 816-241-0368
 WWW.FILTRO.NET

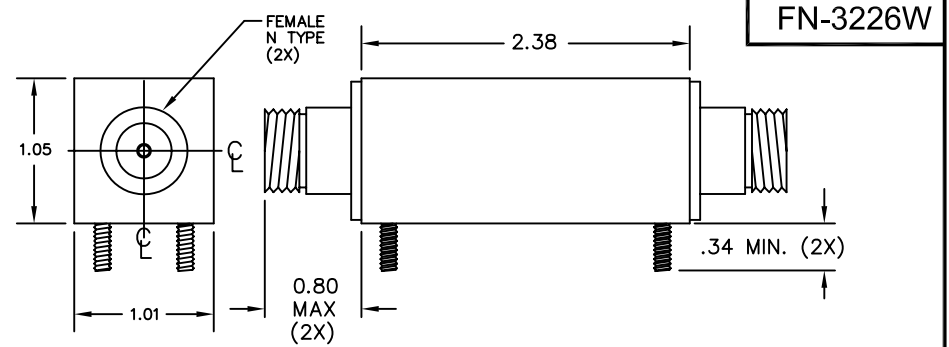
TOLERANCES UNLESS NOTED

ANGLE = ± 1°	HOLES
.XX = ± .020	± .002
.XXX = ± .010	

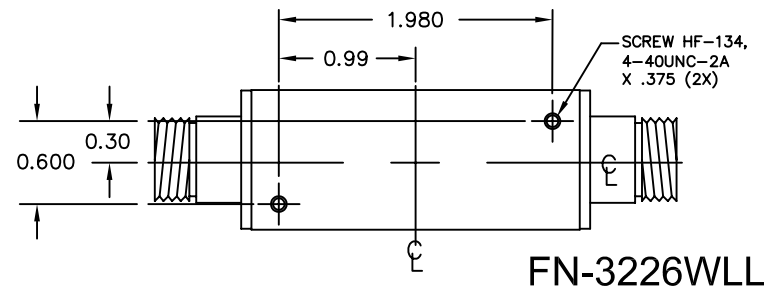
REVISED 05/29/12 ECO 4379



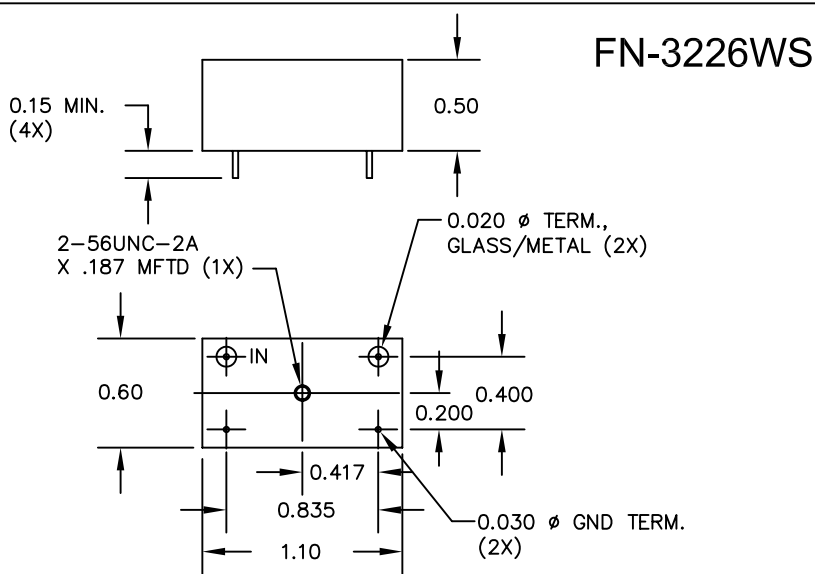
FN-3226WK



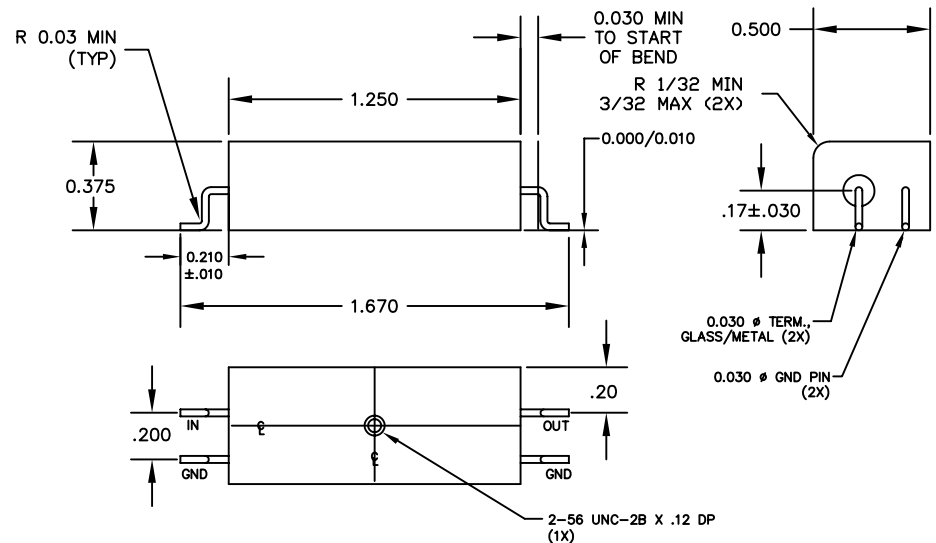
FN-3226W



FN-3226WLL



FN-3226WS



FN-3226WEE

FN-3226W DRAWING SUMMARY SHEET 2 of 2

FILTRONETICS, INC.
 6010 PARRETTA DR.
 KANSAS CITY, MO 64120
 816-231-7375
 FAX 816-241-0368
 WWW.FILTRO.NET

TOLERANCES UNLESS NOTED

ANGLE = ± 1°	HOLES
.XX = ± .020	± .002
.XXX = ± .010	

REVISED 05/29/12 ECO 4379