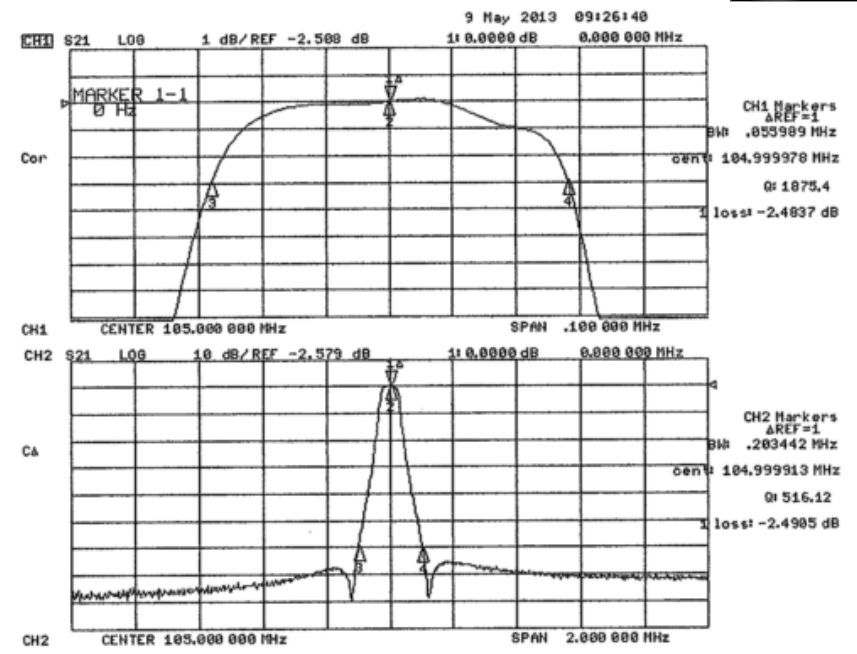
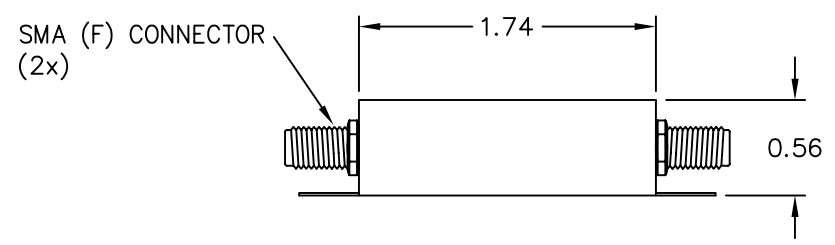
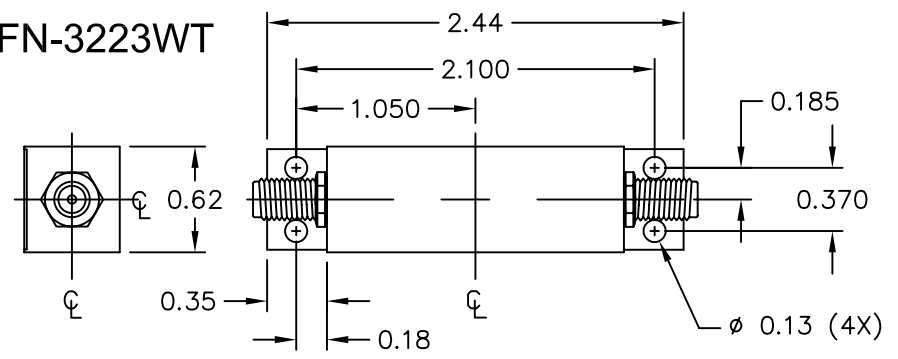


# BANDPASS FILTER

Fo: 105.0 MHz  
 IMPEDANCE : 50 OHMS (IN & OUT)  
 INSERTION LOSS: 4.0 dB MAX, 3 dB TYPICAL  
 RIPPLE: 0.75 dB MAX  
 3dB BANDWIDTH: 50 KHz MIN  
 60dB BANDWIDTH: 220 KHz MAX  
 SPURIOUS ATTENUATION: 50 dB MIN  
 ULTIMATE ATTENUATION: 60 dB MIN  
 INPUT POWER: 0 dBm  
 OPERATING TEMPERATURE : -20°C to +75°C



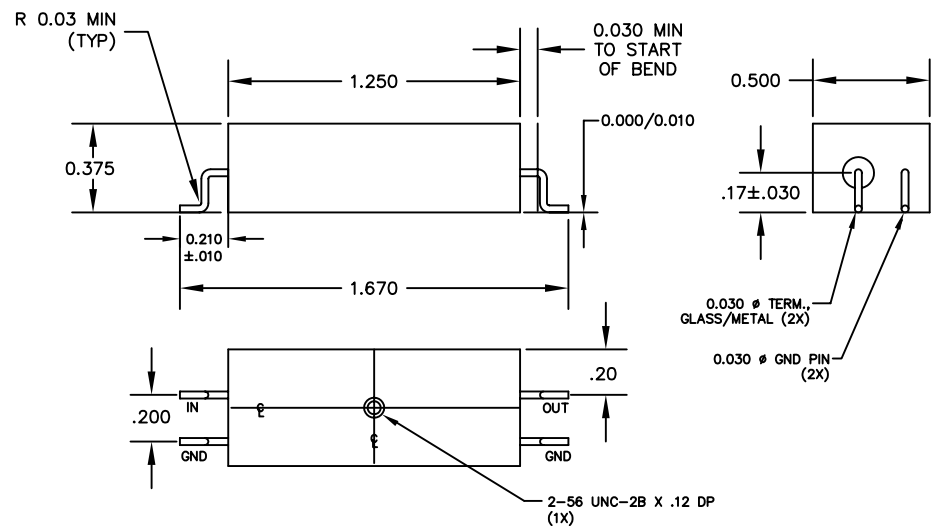
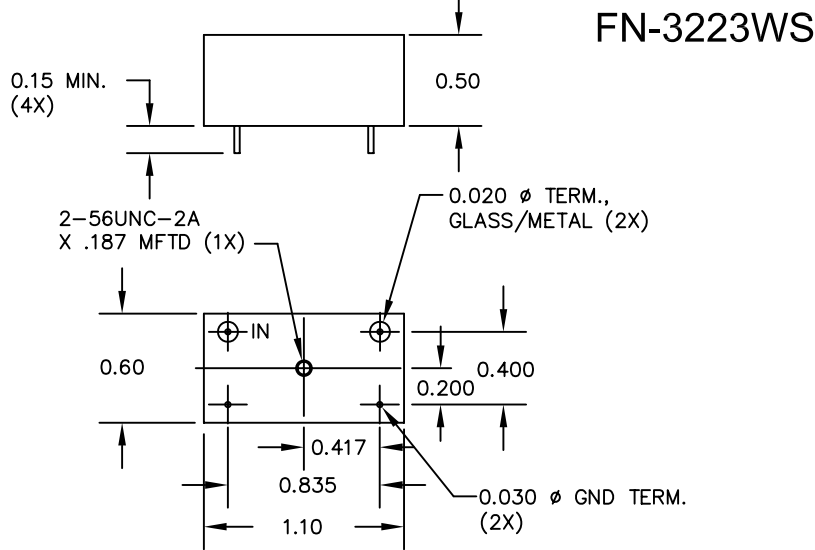
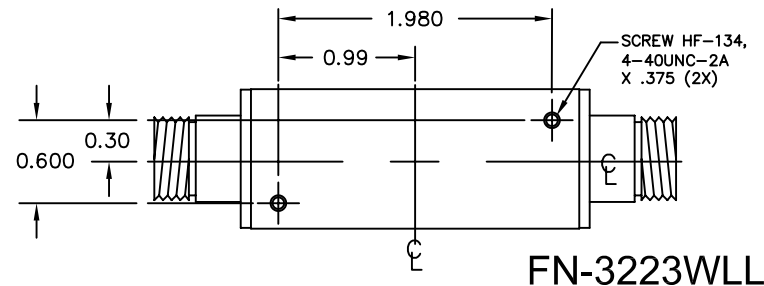
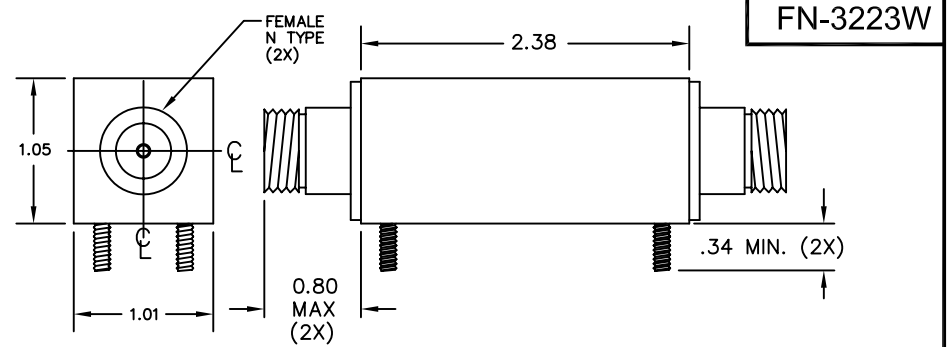
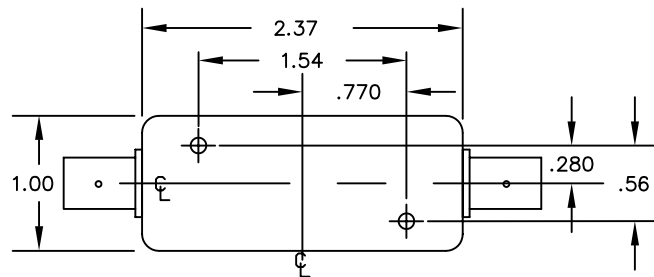
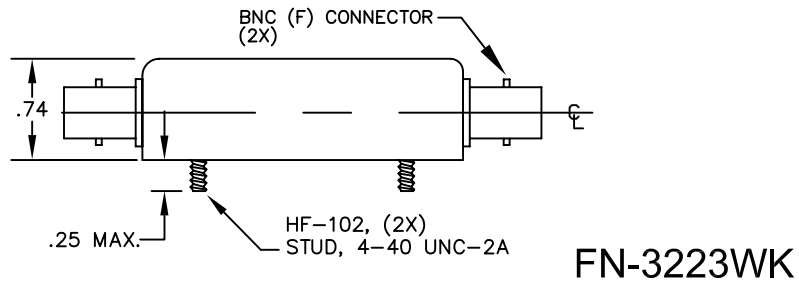
## FN-3223WT



### FN-3223W DRAWING SUMMARY SHEET 1 of 2

**FILTRONETICS, INC.**  
 6010 PARRETTA DR.  
 KANSAS CITY, MO 64120  
 816-231-7375  
 FAX 816-241-0368  
 WWW.FILTRO.NET

TOLERANCES UNLESS NOTED  
 ANGLE = ± 1°  
 .XX = ± .020  
 .XXX = ± .010  
 HOLES ± .002  
 REVISED 06/06/13 ECO 4462



**FN-3223W DRAWING SUMMARY SHEET 2 of 2**

**FILTRONETICS, INC.**  
6010 PARRETTA DR.  
KANSAS CITY, MO 64120  
816-231-7375  
FAX 816-241-0368  
WWW.FILTRO.NET

TOLERANCES UNLESS NOTED

ANGLE = $\pm 1^\circ$	HOLES
.XX = $\pm .020$	$\pm .002$
.XXX = $\pm .010$	

REVISED 03/28/13 ECO 4462